



DAMEN UV 4312

GENERAL

FUNCTIONS

Fish farm support operations, buoy laying, maintenance support, Dive and ROV support.

CLASSIFICATION

Bureau Veritas or equivalent
I ✕ HULL • MACH Unrestricted Navigation
AUT-UMS

DIMENSIONS

LENGTH O.A.	43.27 m
BEAM MLD.	12.00 m
DEPTH	3.50 m
DRAUGHT DESIGN	2.60 m
DEADWEIGHT	460 ton
WORK DECK AREA	350 m ²
DECK LOAD (1M ABOVE DECK)	260 t
DECK LOAD	5.00 t/m ²
DRAUGHT (CONSUMABLES ONLY)	2.00 m
INT GROSS TONNAGE	499 GT

TANK CAPACITIES (APPROX.)

FUEL OIL	145 m ³
FRESH WATER	25.0 m ³
SEWAGE	10 m ³
BILGEWATER	2.0 m ³
BALLAST WATER	TBD m ³
HOLD	47 m ²

PERFORMANCES (APPROX.)

SPEED (AT 2.00 M)	9.2 kn
BOLLARD PULL	11.9 ton

PROPULSION SYSTEM

MAIN ENGINES	2x e-motor approx. 375 ekW
THRUSTERS	2x 1030 mm FPP in nozzle
BOW THRUSTER	1x 150 kW, FPP, Electric

AUXILIARY EQUIPMENT

NETWORKS

230V-50 Hz, 440 V-60 Hz

GENERATOR SETS

3x Volvo D16, 470 ekW each and 1x Volvo D7, 139 ekW.

COOLING SYSTEM

Fresh water through box cooling

DECK LAY-OUT

ANCHORS

2x High Holding Power

ANCHOR MOORING WINCH

1x chain lifter electric

DECK CRANE STARBOARD AFT

1x Knuckle boom 4.55 ton @ 22 m with 5 ton winch

DECK CRANE STARBOARD FORWARD

1x Knuckle boom 1.56 ton @ 19.48 m

DECK CRANE PORTSIDE AFT

1x Knuckle boom 1.56 ton @ 19.48 m

CAPSTAN

3x 5 t, electric

ACCOMMODATION

A ventilated and heated accommodation for 10 persons is fitted. The accommodation includes 6 cabins, a wheelhouse, galley and mess room. The large wheelhouse offers a seating area, open project office, chart table and navigation console.

NAUTICAL AND COMMUNICATION EQUIPMENT

EXTERNAL COMMUNICATION

2x VHF, SSB, Navtex, AIS

INTERNAL COMMUNICATION

Intercom

NAUTICAL SYSTEMS

X-band radar, ECS, DGPS, echo-sounder

OPTIONS

TOWING/WORKING WINCH

Single or double drum winches, for rope or wire

TOWING PINS

With or without stopper

STERN ROLLER

500mm diameter

HOISTING EQUIPMENT

Alternative cranes are possible, as are A-frames

POSITIONING PACKAGE

DP-0 or DP-1

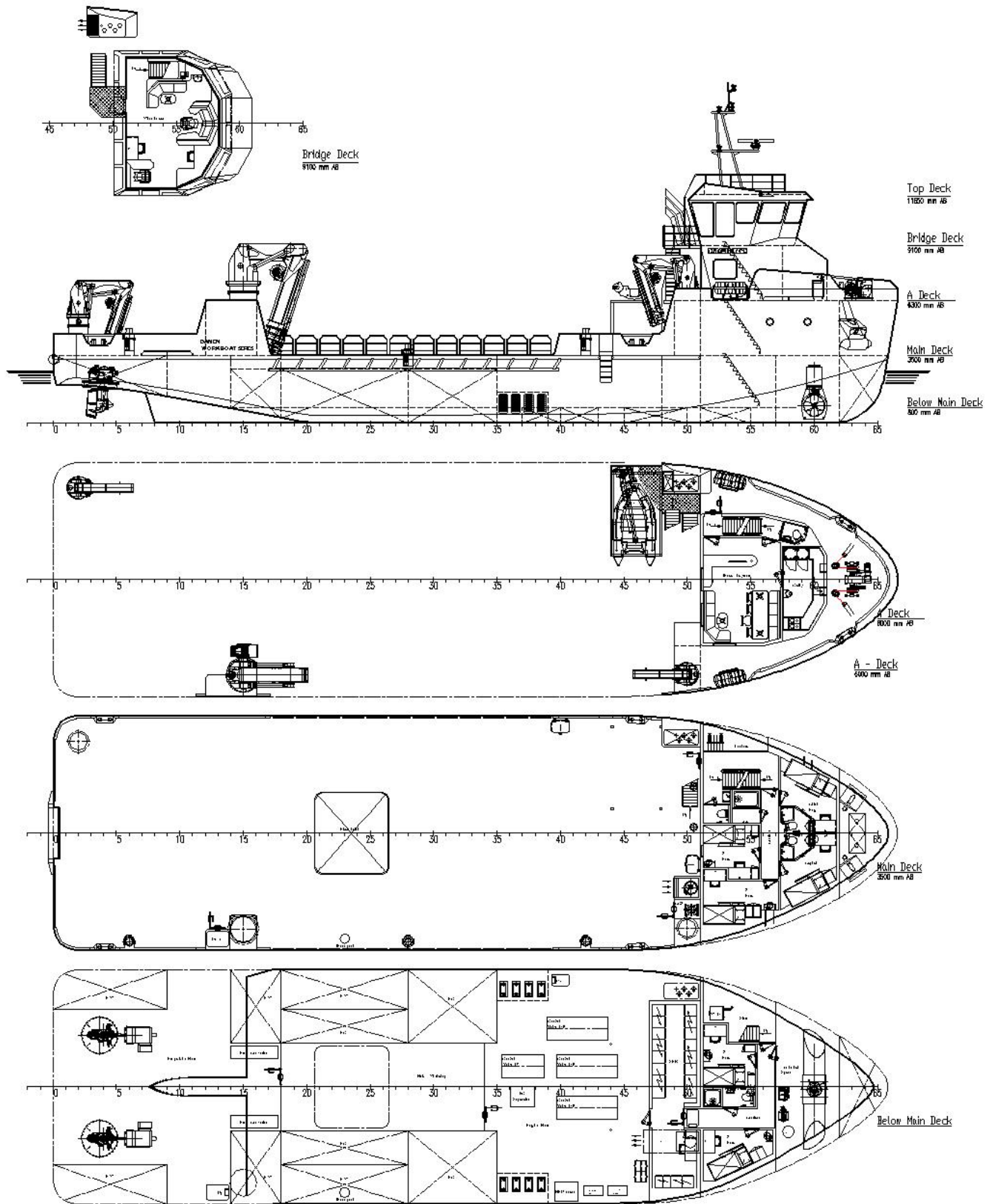
BUOYLAYING

Chain clamps, chain capstans, side rollers etc.

OTHER

Other options available upon request

All data presented is preliminary and is subject to change without prior notice. Artist impression and general arrangement plan show optional equipment for aqua culture support. Options may impact performances.



DAMEN UV 4312

DAMEN

DAMEN SHIPYARDS GORINCHEM

Member of the DAMEN SHIPYARDS GROUP 

Industrieterrein Avelingen West 20
4202 MS Gorinchem

P.O. Box 1
4200 AA Gorinchem

phone +31 (0)183 63 99 11
fax +31 (0)183 63 21 89

info@damen.nl
www.damen.nl The Netherlands

Registered at the Chamber of Commerce, no. 23036357, under the name BV Scheepswerf Damen Gorinchem.
All our offers are without engagement unless stated otherwise.

All activities carried out in accordance with the VNSI General Yard Conditions (Netherlands Shipbuilding Industry Association).