

DAMEN SHOALBUSTER® 3311

"YN 571728"

GENERAL

YARD NUMBER	YN 571728 (Damen Shipyards Hardinxveld)
DELIVERY DATE	To be determined
BASIC FUNCTIONS	Towing, mooring, pushing, anchor handling, dredge support
CLASSIFICATION	Bureau Veritas I✕HULL • MACH Tug Unrestricted navigation, AUT UMS, FiFi1 with waterspray
NATIONAL AUTHORITIES	Dutch Shipping Inspectorate
FLAG	Unrestricted Navigation
OWNER	The Netherlands XX

DIMENSIONS (APPROX.)

LENGTH O.A.	33.15	m
BEAM MLD.	10.50	m
DEPTH AT SIDES	4.40	m
DRAUGHT AFT (98% CONDITION)	3.30	m
DISPLACEMENT LSW (APPROX.)	525	ton
GROSS TONNAGE	470	GT

TANK CAPACITIES (APPROX)

FUEL OIL	180.0	m ³
FRESH WATER	35.0	m ³
SEWAGE	5.0	m ³
SLUDGE	1.6	m ³
DIRTY OIL	4.3	m ³
LUBRICATION OIL	4.0	m ³
HYDRAULIC OIL	3.0	m ³
GEAR OIL	4.0	m ³
BILGE WATER	4.3	m ³

PERFORMANCES (APPROX.)

BOLLARD PULL AHEAD.	50.0	ton(m)
SPEED	11.0	knots

PROPULSION SYSTEM

MAIN ENGINES	2x Caterpillar 3512C-TAHD C-Rating
TOTAL POWER	3000 bkW (4024 bhp) @ 1600 rpm
GEARBOXES	2x Reintjes WAF872 / 7,429:1
PROPULSION	2x Promarin fixed pitch propeller
DIAMETER	2x 2450 mm in v.d. Giessen Optima nozzles
BOWTHRUSTER	350 bhp, electrical driven Kalkman Beta 350E

AUXILIARY EQUIPMENT

GENERATOR SETS	2x Caterpillar C7,1
CAPACITY	2x 156 kVA, 125ekW 50 Hz, 230/400VAC
TRANSFER PUMPS	For Fresh Water: SIHI, 50 m ³ /h For Fuel Oil: SIHI 50 m ³ /h
FUEL OIL SEPARATOR	Alfa Laval MIB303
GENERATOR SET	1x Caterpillar C18, 531kVA, 425ekW @ 60Hz 230/400VAC, for Bowthruster and E-hydraulic systems
FIRE FIGHTING FIFI 1 WITH SPRAY PRE-WETTING	Caterpillar C32 ACERT 970 kW @ 1800 rpm with FFS self priming centrifugal pump capacity (approx.) 2800m ³ /hr
FIFI MONITOR	2x FFS electrical distance controlled Throw length 120m, Throw height 45m.

DECK LAY-OUT

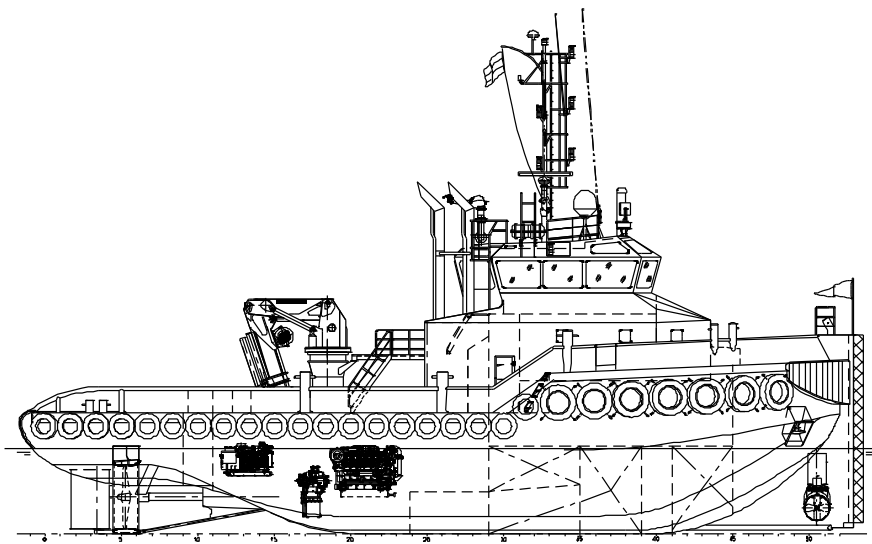
ANCHOR	2x 450 kg Pool (HHP)
CHAIN	22 mm short-link anchor chain 247.5 m
ANCHOR WINCH	1x Hydraulic driven with double chain wheel
DECK CRANE	HS Marine AKC 245 HE3, 11,9Ton @ 13,83m and 39,49 Ton @ 4,5m, Ridderinkhof Waterfall, towing pull 50 ton @ 6 m/min, slack 12m/min, Anchor handling pull 100ton @ 6 m/min, slack 12m/min, Wire capacity of both drums 2x 800m Ø44mm, Both drums 135 ton holding power 1xWK hydraulics with integrated chain stopper 1x Dromec HPV-12000 12T @ 20m/min 1st lay.
ANCHOR HANDLING / TOWING WINCH ACC. TO REGULATIONS OF NOBLE DENTON	
TOWING PINS	
TUGGER WINCH	

ACCOMMODATION

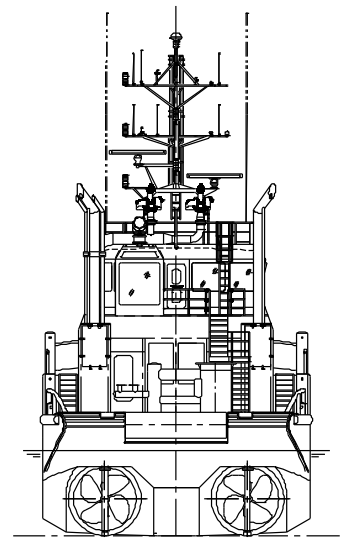
Heated and air-conditioned living spaces for 9 persons, consisting of a captain's cabin, and two single officer cabins, and three double crew cabins, a galley and a mess and sanitary facilities are facilitated as per G.A.P. According to ILO2006 regulations.

NAUTICAL AND COMMUNICATION EQUIPMENT (GMDSS A3)

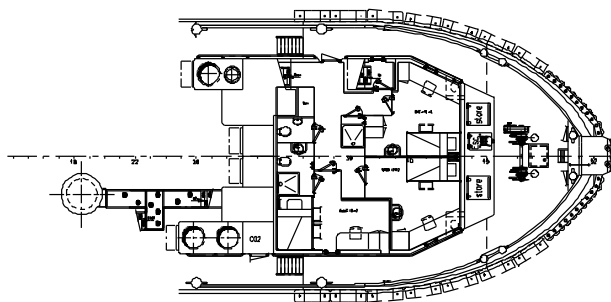
SEARCHLIGHTS	2x Pesch 2000W
MAGNETIC COMPASS	1x Cassens & Plath Reflecta 1
GYRO COMPASS	1x Anschuetz Standard 22 Compact
RADAR SYSTEM	1x Furuno FAR-2117
GPS	1x Furuno GP 150D
AUTOPILOT	1x Radio Zeeland Seapilot 76
AIS	1x Furuno FA 150
ECHOSOUNDER	1x Furuno FE-700
VHF/DSC	2x Thrane & Thrane Sailor 6222 DSC Class A
SPEEDLOG	1x Furuno, Type DS-80
WATCH ALARM	1x Marble 421
HANDHELD VHF	2x Jotron, TRON TR20
SSB/DSC	1x Thrane & Thrane 6310
NAVTEX	1x Furuno NX- 700
MINI-C SYSTEM GMDSS	2x Thrane & Thrane, Type TT-3000E
EPIRB	1x Jotron, Type Tron-40S
INTERCOM	1x Sigma 700
RADAR TRANSPONDER	1x Jotron, Type Tronsart



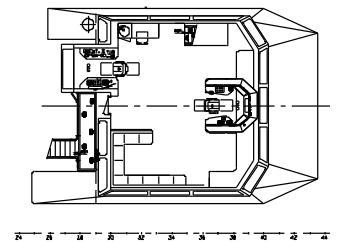
FORECASTLE DECK



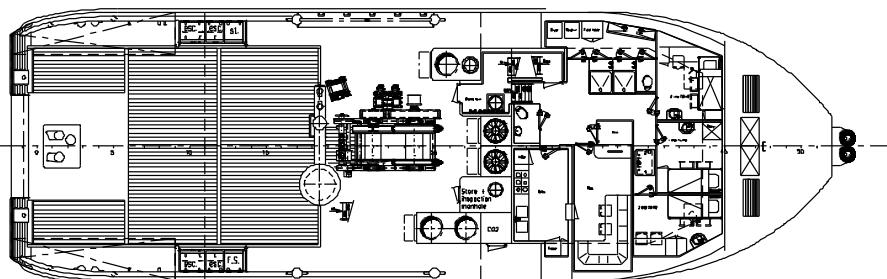
BRIDGE DECK



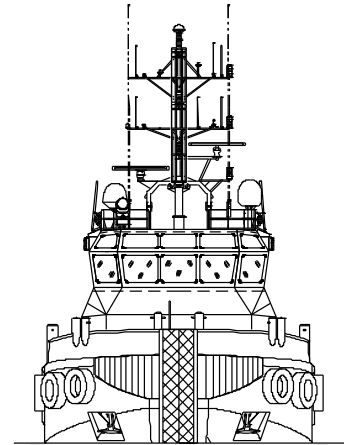
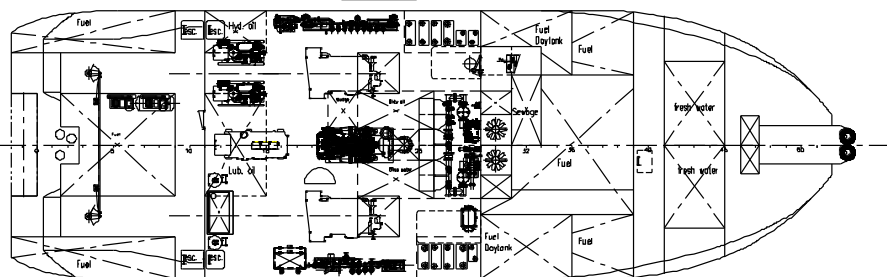
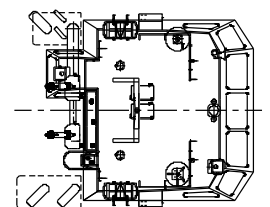
MAIN DECK/TANKTOP



TOP DECK



ENGINE ROOM



DAMEN SHOALBUSTER® 3311

"571728"

DAMEN

DAMEN SHIPYARDS HARDINXVELD

Member of the DAMEN SHIPYARDS GROUP



Rivierdijk 544
3371 EB Hardinxveld-Giessendam

P.O. Box 60
3370 AB Hardinxveld-Giessendam
The Netherlands

phone +31 (0)184 61 30 88
fax +31 (0)184 61 77 93

info@damen-hardinxveld.nl
www.damenshipyardhardinxveld.nl