



DAMEN SHOALBUSTER® 2709 ICE

"YN571685"

GENERAL

YARD NUMBER	571685 (Damen Shipyards Hardinxveld)
DELIVERY DATE	Nov. 2013
BASIC FUNCTIONS	Towing, mooring, pushing, anchor handling, dredge support
CLASSIFICATION	I ✕ HULL • MACH, Tug unrestricted service, AUT-UMS, ICE Class 1C
REGULATIONS	IVW regulations unrestricted
FLAG	Dutch
OWNER	-

DIMENSIONS

LENGTH O.A.	27.02	m
BEAM O.A.	9.10	m
DEPTH AT SIDES	3.60	m
DRAUGHT AFT 98% CONDITION (APPROX.)	2.90	m
DISPLACEMENT (LIGHT SHIP COND.)	320	Ton

TANK CAPACITIES

FUEL OIL	125.0	m ³
FRESH WATER	20.0	m ³
LUBRICATION OIL	3.9	m ³
HYDRAULIC OIL	1.5	m ³
GEAR OIL	1.5	m ³
DIRTY OIL	4.3	m ³
BILGE WATER	4.3	m ³
SEWAGE	2.2	m ³
SLUDGE	1.4	m ³

PERFORMANCES (TRIALS)

BOLLARD PULL AHEAD	33.2	ton
SPEED (APPROX.)	11.0	knots

PROPULSION SYSTEM

MAIN ENGINES	2x Caterpillar C32 ACERT
TOTAL POWER	1940 bkW (2600bhp) at 1800 rpm
GEARBOXES	2x Reintjes WAF 773 / 6.44:1
PROPELLERS	2x 2000 mm Promarin fixed pitch propeller
CONTROLS/STEERING	Straathof / WK Hydraulics
NOZZLES	2x Damen Marine Components "Optima"
BOW THRUSTER	200 bhp, hydraulically driven

AUXILIARY EQUIPMENT

MAIN GENERATOR SETS	2x Caterpillar C-4.4 TA
CAPACITY	2x 106.9 kVA, 50 Hz, 230/400V AC
HYDRAULIC SET	1x Caterpillar C-09 TA, 269kW
FUEL OIL SEPARATOR	Alfa Laval MIB 303

DECK LAY-OUT

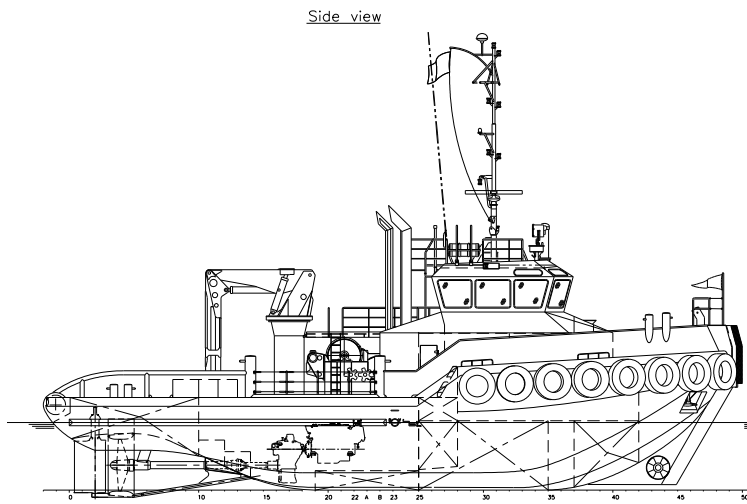
ANCHOR	2x 275 kg Pool (HHP)
ANCHOR CHAIN	17.5 mm stud-link, 2x192.5 m
ANCHOR WINCH	DMT
DECK CRANE	Heila HLRM 140-4SL, 5.3 ton @ 18.03m
ANCHOR HANDLING/TOWING WINCH	DMT, Waterfall execution or equal
CAPACITY TOWING PART	50 ton at 4.0 m/min pull, slack 24m/min
	Holding power 120 ton, wire cap. 850m 40mm
	100 ton at 2.8 m/min pull, slack 16m/min
	Holding power 125 ton, wire cap. 650m 40mm
	WK Hydraulics, triple pin type
	Dromec HPV 12000, 12T pull
CAPACITY ANCH. H. PART	
TOWING PINS	
TUGGERWINCH	

ACCOMMODATION

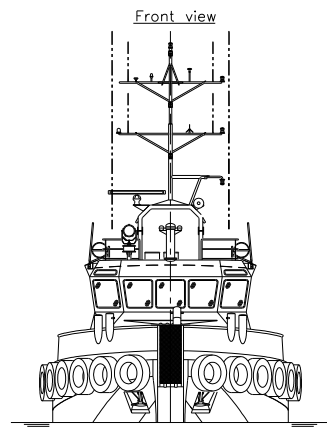
Heated and air-conditioned living spaces for 7 persons, consisting of three single crew cabins and two double crew cabin, a galley/mess and sanitary facilities.

NAUTICAL AND COMMUNICATION EQUIPMENT (GMDSS A3)

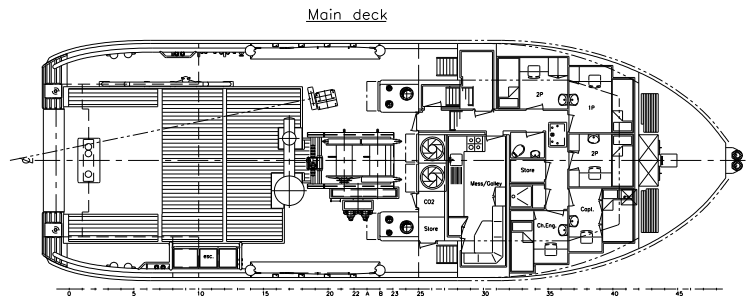
SEARCHLIGHTS	2x Pesch 2000W
MAGNETIC COMPASS	1x Cassens & Plath Reflecta 1
GYRO COMPASS	1x Anschuetz Standard 22 Compact
RADAR SYSTEM	1x Furuno FAR-2117
GPS	1x Furuno GP 150D
AUTOPILOT	1x Radio Zeeland Seapilot 75
AIS	1x Furuno FA 150
ECHOSOUNDER	1x Furuno FE-700
VHF/DSC	2x Thrane & Thrane Sailor 6222 DSC Class A
SPEEDLOG	1x Furuno, Type DS-80
WATCH ALARM	1x Marble 421
HANDHELD VHF	2x Jotron, TRON TR20
SSB/DSC	1x Furuno, Type FS-1570
NAVTEX	1x Furuno NX- 700
MINI-C SYSTEM GMDSS	2x Thrane & Thrane, Type TT-3000E
EPIRB	1x Jotron, Type Tron-40S
INTERCOM	1x Sigma 700
GSM TELEPHONE	1x Sagem, Type Telsat
RADAR TRANSPONDER	1x Jotron, Type Tronsart



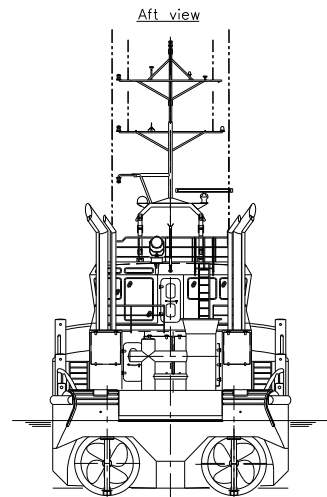
Side view



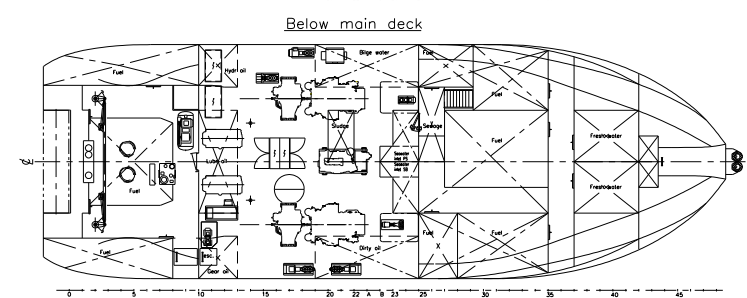
Front view



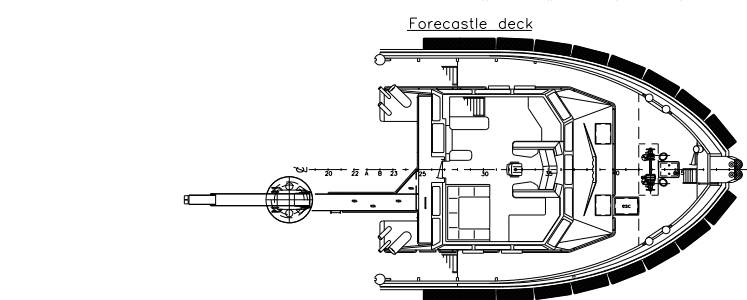
Main deck



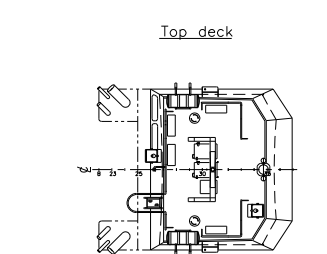
Aft view



Below main deck



Forecastle deck



Top deck

DAMEN SHOALBUSTER® 2709

"YN571685"

DAMEN

DAMEN SHIPYARDS HARDINXVELD

Member of the DAMEN SHIPYARDS GROUP



Rivierdijk 544
3371 EB Hardinxveld-Giessendam

P.O. Box 60
3370 AB Hardinxveld-Giessendam
The Netherlands

phone +31 (0)184 61 30 88
fax +31 (0)184 61 77 93

info@damen-hardinxveld.nl
www.damenshipyardhardinxveld.nl