



DAMEN MULTI CAT® 2712

YN571737 PANDA

GENERAL

YARD NUMBER	571737 (Damen Shipyards Hardinxveld)
DELIVERY DATE	End of March 2017
BASIC FUNCTIONS	Anchor handling, dredger service, supply, towing, hose handling and survey
CLASSIFICATION	Bureau Veritas I ✱ Hull • MACH Tug Unrestricted navigation, • AUT-UMS, anchor handling
NAT. AUTHORITIES	Dutch Shipping Inspectorate, (ILT) unrestricted service
FLAG	The Netherlands
OWNER	Scheepvaartbedrijf Herman Sr.

DIMENSIONS (APPROX.)

LENGTH O.A.	27.70	m
BEAM O.A.	12.45	m
LENGTH LOAD LINE	23.90	m
DEPTH AT SIDES	3.90	m
DRAUGHT (98%CONDITION)	± 2.85	m
DISPLACEMENT LIGHT SHIP	405	ton(m)
GROSS TONNAGE	296	GT
BRITISH TONNAGE	178,8	BT

TANK CAPACITIES (APPROX.)

FUEL OIL	110.0	m ³
FRESH WATER	31.3	m ³
DIRTY OIL	1.7	m ³
SEWAGE	10.5	m ³
SLUDGE	1.3	m ³
HYDR OIL	2.3	m ³
LUB OIL	1.5	m ³
BILGE WATER	4.1	m ³
TW TANKS	49.6	m ³

PERFORMANCES (TRAILS)

BOLLARD PULL (AVERAGE)	33.0	ton(m)
SPEED	10.0	knots

PROPULSION SYSTEM

MAIN ENGINES	2x Cat C32 TTA ACERT
TOTAL POWER	1790 bkW at 1800 rpm
GEARBOXES	2x Reintjes WAF 572L 7,091 : 1
PROPULSION	2x fixed pitch propellers in Optima nozzles, 1900 mm
BOWTHRUSTER	Kalkman Beta 250H, 200pk / 184kW Hydraulic driven

AUXILIARY EQUIPMENT

GENERATOR SETS	2x Cat. C 04.4, 107 kVA each
HYDRAULIC POWER	Cat C12 TA, 339 kW 1800rpm
FUEL OIL SEPERATOR	Facet MV-11-AG

DECK LAY-OUT

ANCHOR	2x 300 kg Pool TW (HHP)
ANCHOR WINCH	1x Hydraulically driven, Kraaijeveld
DECKCRANE FORE	HS Marine AKC 290 LHE3 11.5 T @ 16.5 m
DECKCRANE AFT	HS Marine AKC 290 LHE3 11.5 T @ 16.5 m
AH /TOWING WINCH CAPACITIES	1x single drum, Kraaijeveld 100 ton@ 3m/min pulling force 1 st layer 150 ton brake holding force 1 st layer
TOWING WINCH	50 ton@ 6.8m/min pulling force 1 st layer 100 ton brake holding force 1 st layer
TOWING PINS FRONT	1x WK double pin type with chain stopper
TOWING PINS AFT	∅ 1x WK triple pin type in line

ACCOMMODATION

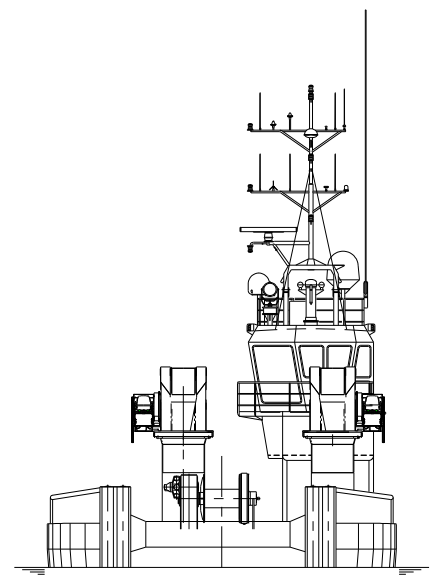
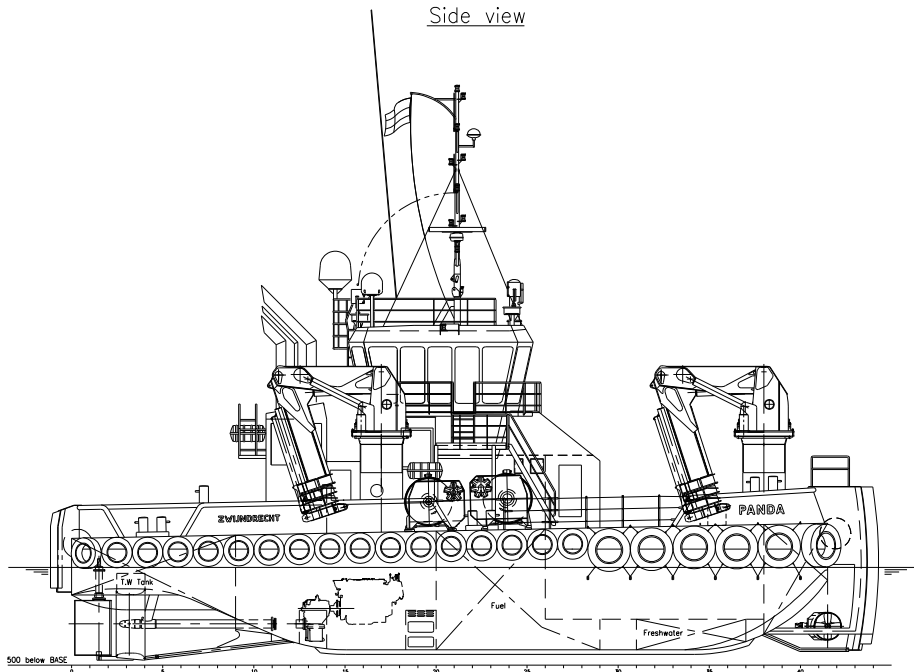
Comfortable heated and air-conditioned accommodation for 7 persons in 5 cabins, galley, sanitary facilities, etc. Two double cabins and three single cabins.

NAUTICAL AND COMMUNICATION EQUIPMENT GMDSS AREA 3

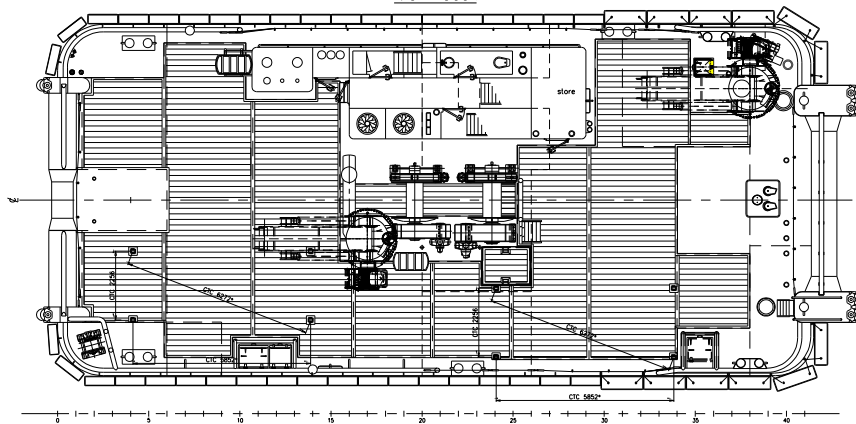
SEARCH LIGHTS	2x Pesch 2000 W
RADAR SYSTEM	1x Furuno, FAR 2117
RADAR SYSTEM	∅ 1x Furuno, FAR 8065
COMPASS	1x Cassens & Plat, Reflecta 1
GYRO COMPASS	1x Anshuetz, Standard 22
AUTOPILOT	1x Simrad, AP-70+
GPS	1x Furuno, GP-170
ECHOSOUNDER	1x Furuno, FE-800
SPEEDLOG	1x Furuno, DS-80
AIS	1x Furuno, FA-170
INTERCOM	1x Phonetech, CIS3000
VHF	2x Sailor, RT6222, with DSC
HANDHELD VHF	2x TR-20
SSB	1x Sailor 6310
INMARSAT - C	2x Sailor 6110
NAVTEX	1x Furuno, NX-700
WATCH ALARM	1x Furuno, BR-500
ENTERTAINMENT SYSTEM	1x Intellian I6
WIND INDICATOR	1x Obsermet OMC 115
ECDIS	1x Furuno FMD3100
VSAT SYSTEM	1x Intellian V80G

ITEMS MARKED WITH A ∅ ARE OPTIONAL

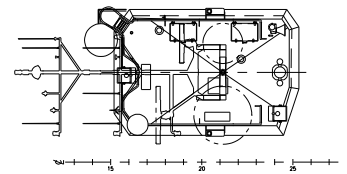
Side view



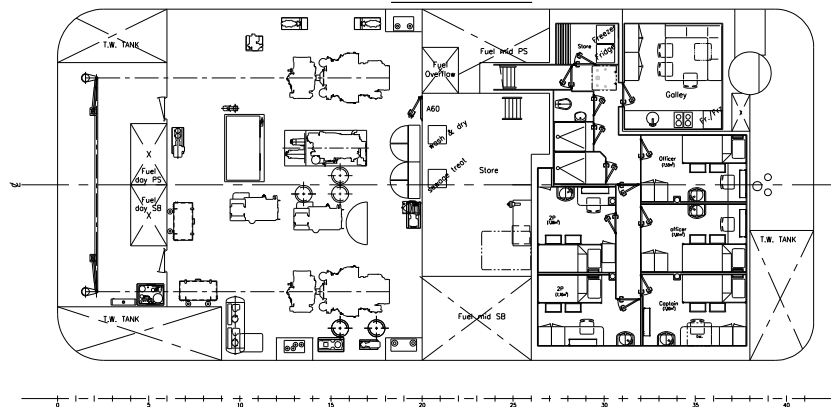
Main deck



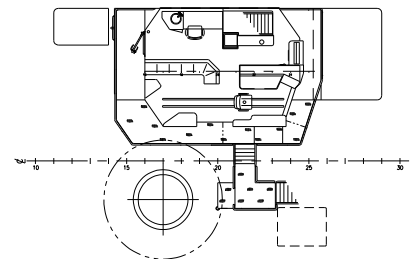
Top deck



Below main deck



Wheelhouse deck
7550 above base



DAMEN MULTI CAT® 2712

YN571737 PANDA

DAMEN SHIPYARDS HARDINXVELD

Member of the DAMEN SHIPYARDS GROUP



Rivierdijk 544
3371 EB Hardinxveld-Giessendam

P.O. Box 60
3370 AB Hardinxveld-Giessendam

The Netherlands

phone +31 (0)184 61 30 88
fax +31 (0)184 61 77 93

info-dsha@damen.com
www.damenshipyardshardinxveld.nl

© No part of the leaflet may be reproduced in any form, by print, photo print, microfilm, or any other means, without written permission from Damen Shipyards Hardinxveld