



DAMEN MULTI CAT® 1506

"YN 517514-15-16"

GENERAL

YARD NUMBER	517514-15-16
BASIC FUNCTIONS	Towing, pushing, dredging support Ø 0,1 recovery
CLASSIFICATION	Bureau Veritas I & HULL • MACH Special Service Workboat Coastal Area
PAINTING	Epoxy paint system

DIMENSIONS

LENGTH O.A.	15.50 m
BEAM O.A.	6.06 m
DEPTH AT SIDES	2.25 m
DRAUGHT AFT	1.50 m
SCANTLINGS	hull plating 10 mm sheerstrake 30 mm deck plating 10 mm

TANK CAPACITIES

FUEL OIL	7.4 m ³
FRESH WATER BALLAST AFT	10.2 m ³
FRESH WATER BALLAST FWD	5.2 m ³
Ø FRESH WATER	3.2 m ³
Ø DIRTY OIL	0.3 m ³
Ø SEWAGE TANK	0.2 m ³
Ø FUEL OIL /RECOVERED WASTE WATER	24.6 m ³

PERFORMANCES

BOLLARD PULL AHEAD	7.4 ton(m)
SPEED	8.6 knots

PROPULSION SYSTEM

MAIN ENGINES	2x Volvo D9 MH/1
TOTAL POWER	442 kW (601 bhp) at 1800 rpm
GEARBOXES	2x Twin Disc MG 5091 DC / 3.82:1
PROPULSION	2x Bronze fixed pitch propellers
DIAMETER	2x 1050 mm in nozzles
STEERING SYSTEM	Sperry powered hydraulic

AUXILIARY EQUIPMENT

FUEL OIL SYSTEM	Duplex filters
BATTERY SETS	2x 24V 200 Ah
BILGE PUMP	SIHI VW 20, 24 m ³ /hr at 14 mwg
FRESH WATER BALLAST PUMP	SIHI AKHK 5101, 20 m ³ /hr at 14 mwg
Ø FUEL/CARGO TRANSFER PUMP	SIHI AKHK 5101, 20 m ³ /hr
Ø GENERATOR SET	ONAN MDKBR-eQD, 17.5 kVA 230/400 V 50Hz
COOLING SYSTEM	Closed cooling water system

DECK LAY-OUT

ANCHOR	75 kg Pool (High Holding Power)
CHAIN	100 m short link, 13 mm U2
ANCHOR WINCH	Hand operated
DECK CRANE	Heila HLM 20-2S, 2.2 ton, 8.6 m
Ø ANCHOR HANDLING WINCH	DMT 15 ton at 5m/min
Ø OIL BOOM + SKINNER	Vikoma 125m sentinel 750 + Komara 20
Ø DEBRIS GRAB	Grab fitted on crane
Ø TOWING HOOK	Disc type 15 ton
Ø COUPLING WINCHES	2x DMT manual 25 ton

ACCOMMODATION

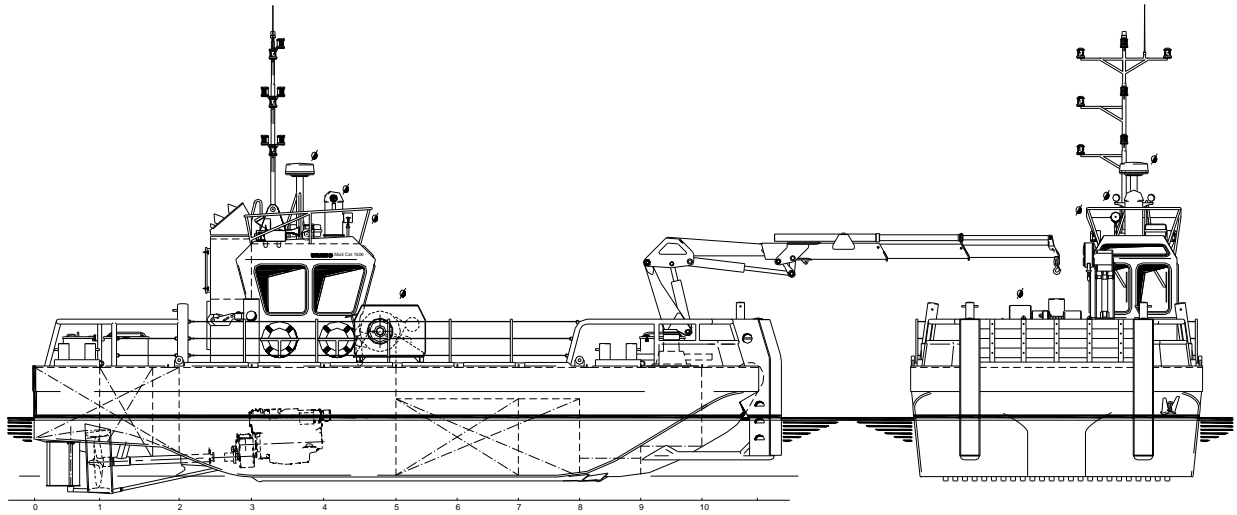
The wheelhouse is completely insulated and finished with durable modern linings, acoustical Dampa ceiling, synthetic floor and is equipped with dashboard, time clock, Ø settee, Ø watertap, Ø airconditioning and Ø heating. Windows are fitted in aluminium frames.

NAUTICAL AND COMMUNICATION EQUIPMENT

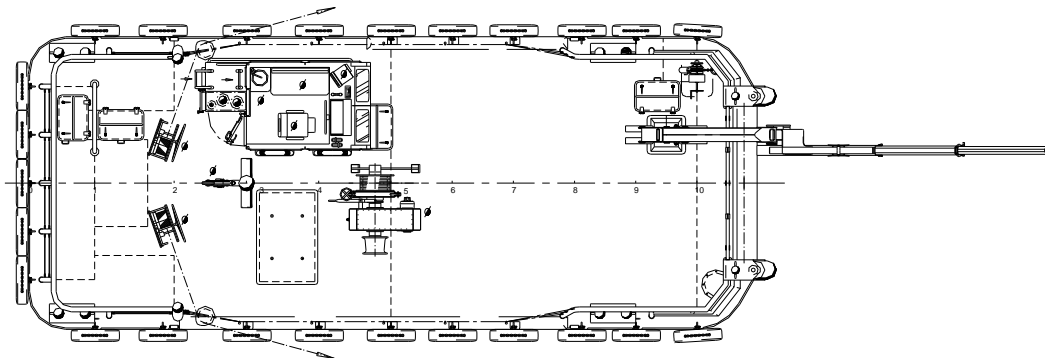
SEARCHLIGHT	Den Haan 170 W 24 V
HORN	Ongaro
FLUXGATE COMPASS	Radio Zeeland Sigma 345
Ø MAGNETIC COMPASS	Kotter type
VHF RADIO TELEPHONE	Sailor 6248
Ø VHF RADIO TELEPHONE (MED)	Sailor 6222 DSC
VHF HAND HELD	Jotron TR-20
Ø RADAR	Furuno 1835
GPS	Furuno GP-32
Ø ECHOSOUNDER	Furuno LS-6100
Ø NAVTEX	Furuno NX-700
Ø EPIRB	Jotron Tron-40s MKII
Ø SART	Jotron Tron-Sart

COMPLETE VESSELS ON STOCK

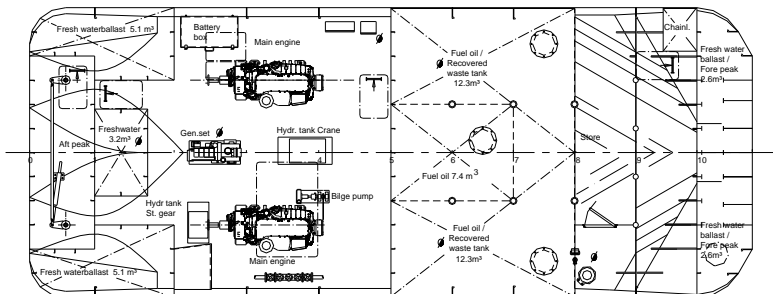
* PHOTOGRAPH SHOWS SIMILAR VESSEL / Ø = OPTIONAL EQUIPMENT



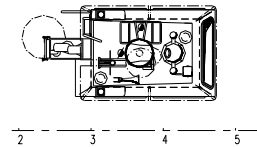
Maindeck



Below Maindeck



Topdeck



DAMEN MULTI CAT[®] 1506

"YN 517514-15-16"

DAMEN

DAMEN SHIPYARDS GORINCHEM

Member of the DAMEN SHIPYARDS GROUP



Industrieterrein Avelingen West 20
4202 MS Gorinchem

P.O. Box 1
4200 AA Gorinchem
The Netherlands

phone +31 (0)183 63 99 11
fax +31 (0)183 63 21 89

info@damen.com
www.damen.com