



DAMEN MULTI CAT[®] 1205

"KLUDE"

GENERAL

YARD NUMBER	516005
DELIVERY DATE	January 2011
BASIC FUNCTIONS	General purpose workboat, anchor handling
CLASSIFICATION REGULATIONS	Lloyd's Register ⊗ 100 A1 Multi Purpose Boat Extended Protected Waters [⊗] LMC Belgium
FLAG	Belgium
OWNER	THV SeReAnt

DIMENSIONS

LENGTH O.A.	12.52 m
BEAM O.A.	4.96 m
DEPTH AT SIDES	1.80 m
DRAUGHT AFT	1.20 m

TANK CAPACITIES

FUEL OIL	6.0 m ³
----------	--------------------

PERFORMANCES (TRIALS)

BOLLARD PULL AHEAD	4.14 ton
SPEED	8.50 knots

PROPULSION SYSTEM

MAIN ENGINES	2x Caterpillar3056 TA
TOTAL POWER	246 bkW (330 bhp) at 2100 rpm
GEARBOXES	Twin Disc MG 5091/ 2.95:1
PROPELLERS	Two bronze fixed pitch propellers, 770 mm diameter, make Promarin
NOZZLES	Two Optima 785 mm Van de Giessen
ENGINE/GEARBOX CONTROLS	Kobel, cable type
STEERING GEAR	Powered hydraulic 2x 45°, rudder indicator

AUXILIARY EQUIPMENT

BILGE PUMP	SIHI VW20 24 m ³ /hr at 10 m.w.g.
BATTERY SET	2x 24 V 200 Ah each

DECK LAY-OUT

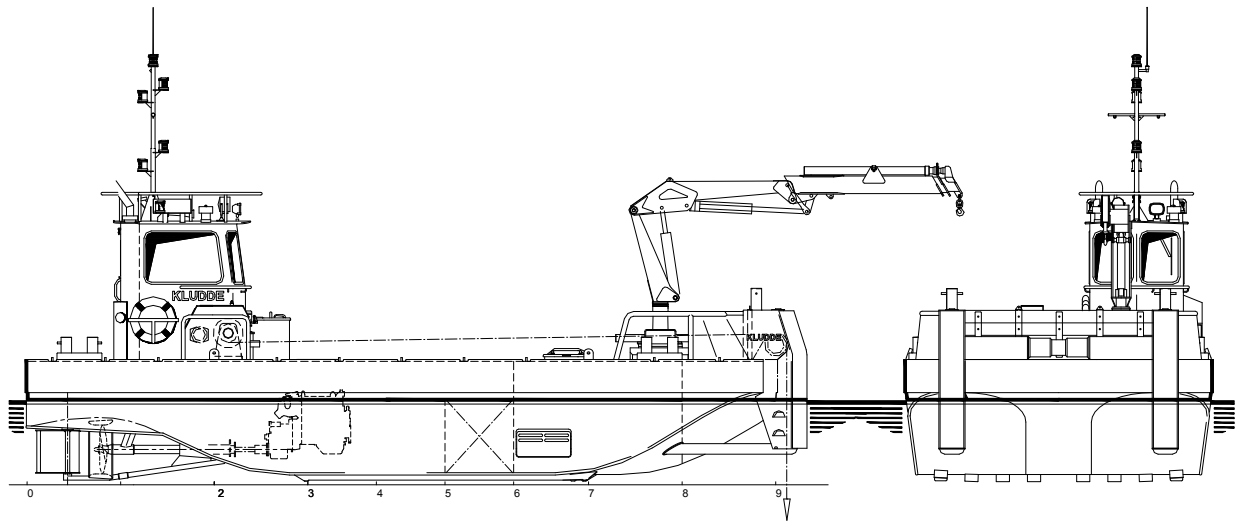
ANCHOR	48 kg Pool (High Holding Power)
CHAIN	10 m short link, 13 mm U2/Q2 (Class)
DECK CRANE	HLM 10-2S 1.0 ton at 8.4 m/min
DECK WINCH	Kraaijeveld, pull 7.5 ton at 5 m/min.
TOWING BITT	Single pole on aft deck

ACCOMMODATION

Wheelhouse with dashboard and switchboard.
Below deck a store is arranged.

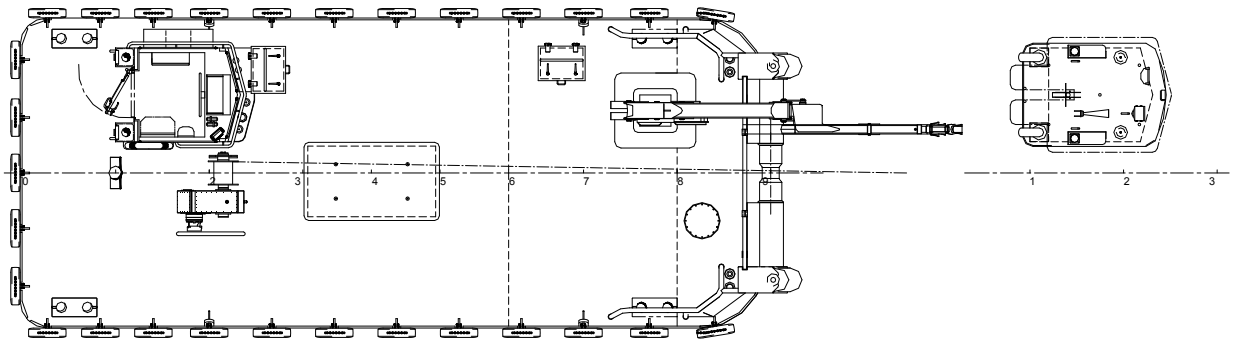
NAUTICAL AND COMMUNICATION EQUIPMENT

COMPASS	Hand held
ECHOSOUNDER	Furuno LS-6100
VHF	Sailor RT2048

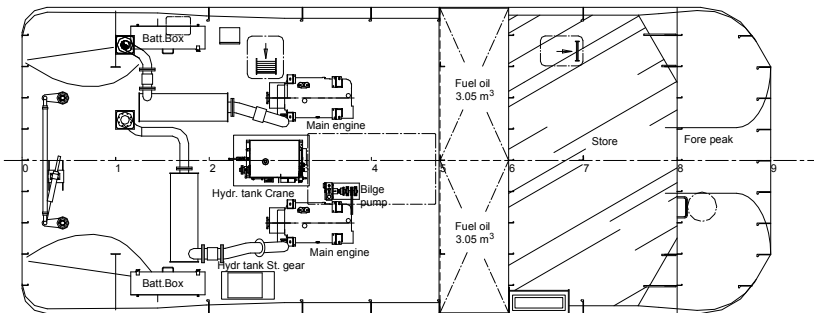


Maindeck

Topdeck



Below Maindeck



DAMEN MULTI CAT[®] 1205

"KLUDDIE"

DAMEN

DAMEN SHIPYARDS GORINCHEM

Member of the DAMEN SHIPYARDS GROUP



Industrieterrein Avelingen West 20
4202 MS Gorinchem

P.O. Box 1
4200 AA Gorinchem
The Netherlands

phone +31 (0)183 63 99 11
fax +31 (0)183 63 21 89

info@damen.nl
www.damen.nl