



## DAMEN STAN TUG® 1205

"T7" AND "T8"

### GENERAL

YARD NUMBER	502501-02
BASIC FUNCTIONS	Towing and mooring operations, passengers transport and pilot services
CLASSIFICATION	Bureau Veritas
FLAG	1 ✶ HULL • MACH Seagoing Launch
OWNER	United Arab Emirates National Marine Dredging Company, United Arab Emirates

### DIMENSIONS

LENGTH O.A.	13.08 m
BEAM (INCL FENDERS)	5.28 m
DEPTH AT SIDES	2.30 m
DRAUGHT AFT	1.85 m
DISPLACEMENT	55 ton

### TANK CAPACITIES

FUEL OIL	5.80 m <sup>3</sup>
FRESH WATER	0.35 m <sup>3</sup>
SEWAGE	0.36 m <sup>3</sup>
BILGE WATER	0.33 m <sup>3</sup>

### PERFORMANCES (TRIALS)

BOLLARD PULL	8.9 ton(m)
SPEED	9.8 knots

### PROPULSION SYSTEM

MAIN ENGINES/RATING	2x Volvo D9 MH
TOTAL POWER	442 bKW (601 bhp) at 1800 rpm
GEARBOXES/RATIO	Twin Disc MG 5091 / 3.82:1
PROPELLERS	2x Kaplan fixed pitch, 1050 mm diam.
NOZZLES	2x Van de Giessen 'Optima' with stainless steel inner side
ENGINE CONTROL	Volvo EVC
RUDDERS	2x double plate high performance
STEERING GEAR	Powered-hydraulic 2x 50° + rudder indicator

### AUXILIARY EQUIPMENT

BATTERY SETS	2x 24 V 200 Ah, change over facility
GENERATOR	Onan MDKBR-eQD 230V, 17.5 kVA 50Hz
ALARM SYSTEM	Engines, gearboxes + bilge alarm
BILGE/FIRE FIGHTING SYSTEM	Electrical driven Sterling SIHI VWSI 5013 15 m <sup>3</sup> /hr with connection to hydrants in engine room and on deck hand operated emergency bilge pump
FUEL OIL SYSTEM	Water separators, filters + SOS valve
COOLING SYSTEM	Closed cooling system (cooling channels)
SANITARY SYSTEM	Headhunter 230V pressure set, Rheinstrom 24V sewage discharge pump
ENGINE ROOM VENTILATION	Mechanical ventilation, 8000 m <sup>3</sup> /hr
FIRE EXTINGUISHERS	2x 5 kg CO <sub>2</sub> and 2x 6 kg dry powder

### DECK LAY-OUT

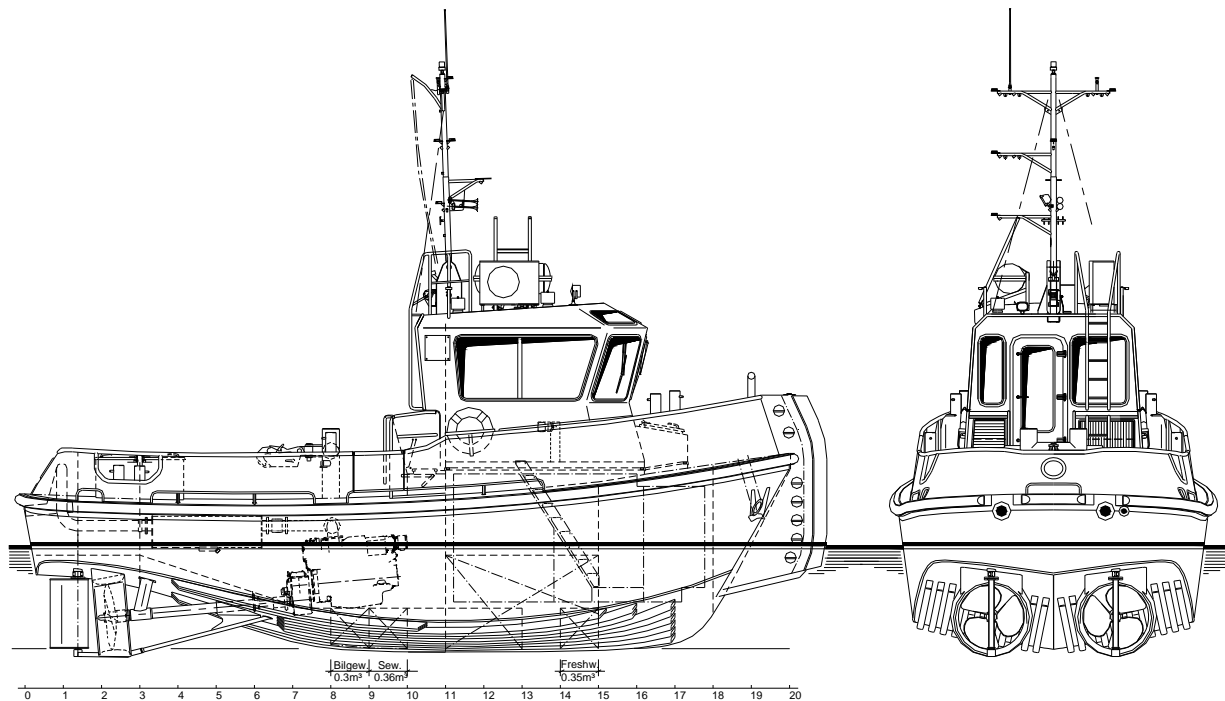
ANCHOR WINCH	Electrically driven 24V
TOWING HOOK	Mampaey Disc type, 15 ton SWL
FENDERING	Rubber D-fender 150x150 mm all around the hull
PUSH BOW	Cylindrical rubber fender Ø 380 mm

### ACCOMMODATION

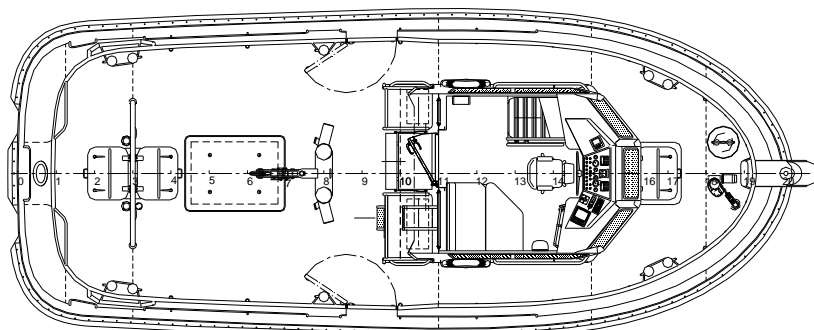
The air-conditioned wheelhouse is resiliently mounted and has an extremely low noise level of approx. 55 dB(A). The wheelhouse and below deck accommodation are heated, completely insulated and finished with durable modern linings and rubber/synthetic floor. Wheelhouse with a bench for two persons, a table and a helmsman seat. Windows are fitted in aluminum frames. Below deck a kitchen unit, a store and lockers are fitted.

### NAUTICAL AND COMMUNICATION EQUIPMENT

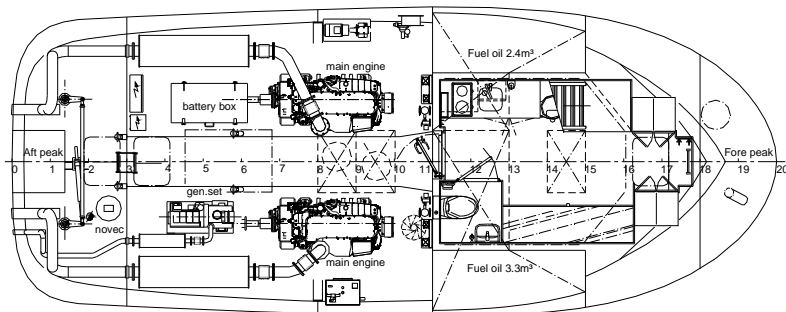
SEARCHLIGHT	Den Haan 250 W 24V
COMPASS	Fluxgate
GPS	Furuno GP-32
ECHO SOUNDER	Furuno LS-6100
VHF RADIO TELEPHONE	Sailor RT2048
NAVIGATION LIGHTS	Navigation lights incl. towing and pilot lights
FLOODLIGHT	150 W on aft deck



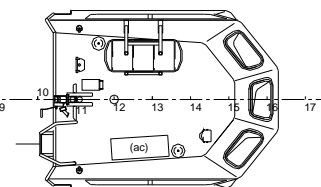
Maindeck



Below Maindeck



Topdeck



# DAMEN STAN TUG<sup>®</sup> 1205

"T7" AND "T8"

## DAMEN

DAMEN SHIPYARDS GORINCHEM

Member of the DAMEN SHIPYARDS GROUP



Industrieterrein Avelingen West 20  
4202 MS Gorinchem

P.O. Box 1  
4200 AA Gorinchem  
The Netherlands

phone +31 (0)183 63 99 11  
fax +31 (0)183 63 21 89

info@damen.nl  
www.damen.nl