



STAN TUG 1004

STOCK

PICTURE OF SIMILAR VESSEL

GENERAL

Yard number	501113
Basic functions	Towing and mooring operations, passengers transport and pilot services
Classification	Bureau Veritas I * HULL • MACH Seagoing Launch
Painting	Epoxy paint system

DIMENSIONS

Length overall	10.67 m
Beam overall	4.52 m
Depth at sides	2.15 m
Draught aft (approx.)	1.70 m
Displacement (98% consumables)	30 t

TANK CAPACITIES

Fuel oil	1.62 m ³
Fresh water	0.21 m ³
Sewage	0.25 m ³

PERFORMANCES

Bollard pull	4.2 t
Speed	8.9 kn

PROPULSION SYSTEM

Main engines	Volvo D9 MH
Total power	221 kW (296 bhp) at 1800 rpm
Gearboxes	Twin Disc MG 5091 4.50:1
Propeller	Kaplan fixed pitch 1050 mm diameter
Nozzle	Van de Giessen 'Optima' with stainless steel innerrings
Engine control	Volvo EVA
Rudder	Double-plate high performance
Steering gear	Powered-hydraulic 2x 50° + rudder indicator
Ø Bow thruster	24 V

AUXILIARY EQUIPMENT

Battery sets	2x 24 V 230 Ah, change over facility
Alternators	2x 80 Ah main engine driven
Alarm system	Engines, gearboxes and bilge alarm
Bilge/ fire fighting system	Electrically driven Azcuc CA50/2A 9 m ³ /h with connection to hydrants in engine room and on deck hand operated emergency bilge pump
Fuel oil system	Water separators, filters and SOS valve
Cooling system	Closed cooling channels
Sanitary/ fresh water system	Speck 24 V pressure set, Rheinstrom 24 V sewage discharge pump
Ø Engine room ventilation	Mechanical ventilation, 900 m ³ /h
Fire extinguishers	2x 5 kg CO ₂ and 2x 6 kg dry powder

DECK LAY-OUT

Anchor	48 kg Pool (High Holding Power)
Anchor winch	Electrically driven 24 V
Towing hook	Mampaey Disc type, 7 ton SWL
Side/stern fender	Rubber D-fender 125 x 125 mm
Push bow	Cylindrical rubber fender 380 mm diameter
Ø Life raft	Inflatable life raft for 4 or 6 persons

ACCOMMODATION

The wheelhouse is resiliently mounted to reduce noise levels. The wheelhouse and below deck accommodation are completely insulated and finished with durable modern linings and composite/synthetic floor. Wheelhouse with a settee for two persons, a table, wash basin and Ø a helmsman seat. Windows are fitted in aluminium frames. Below deck a toilet, Ø two lockers and Ø two berths are fitted.

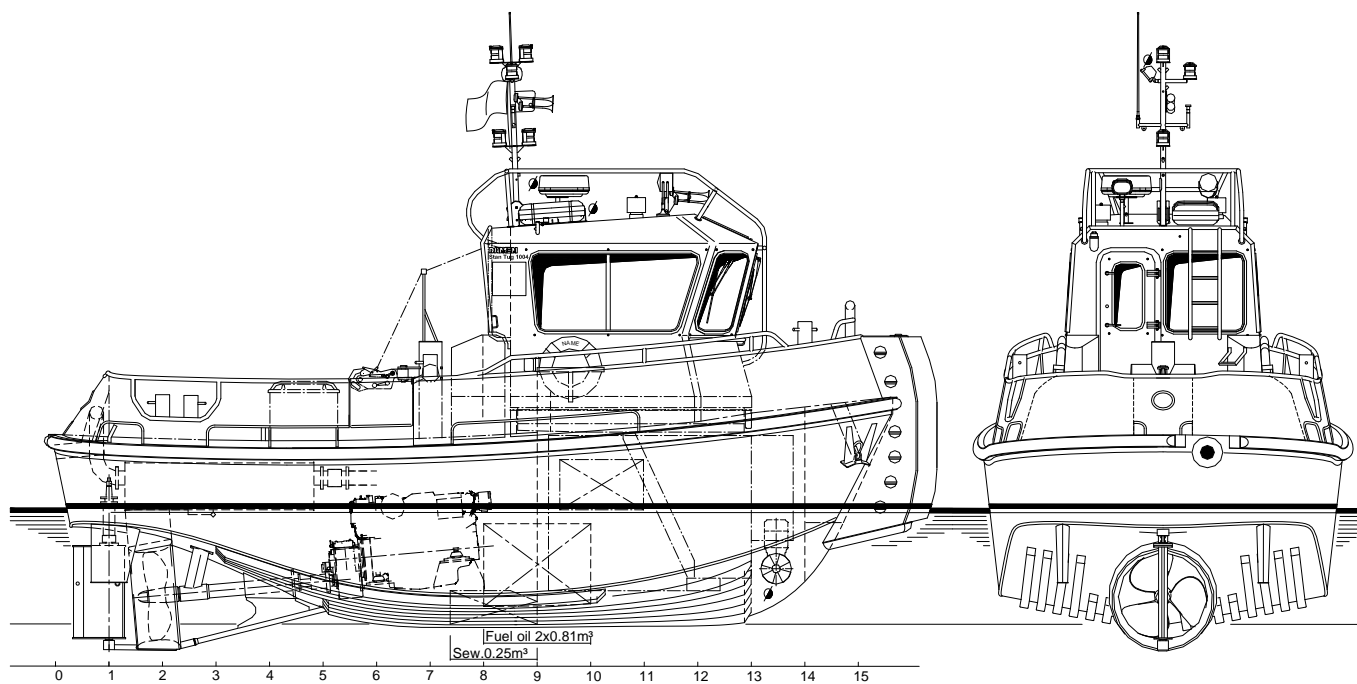
NAUTICAL AND COMMUNICATION EQUIPMENT

Searchlight	Den Haan 250 W 24 V
Chart plotter / Multi-functional display	Simrad NSS 16 evo2
Ø Radar	Simrad Broadband 4G
Fluxgate compass	Simrad
GPS	Simrad GS25
VHF radio telephone	Sailor Compact 6249, 24 W
Ø AIS	Simrad NAIS 400 AIS
Navigation lights	Navigation lights incl. towing light
Floodlight	150 W on the aft deck

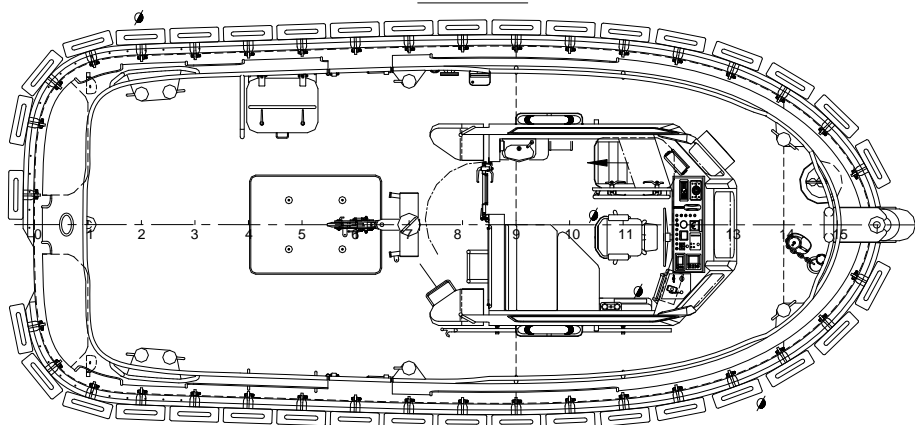
Ø = optional equipment

STAN TUG 1004

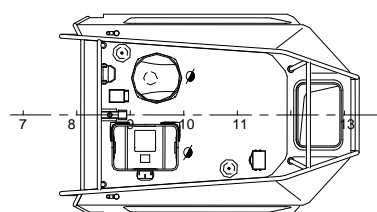
STOCK



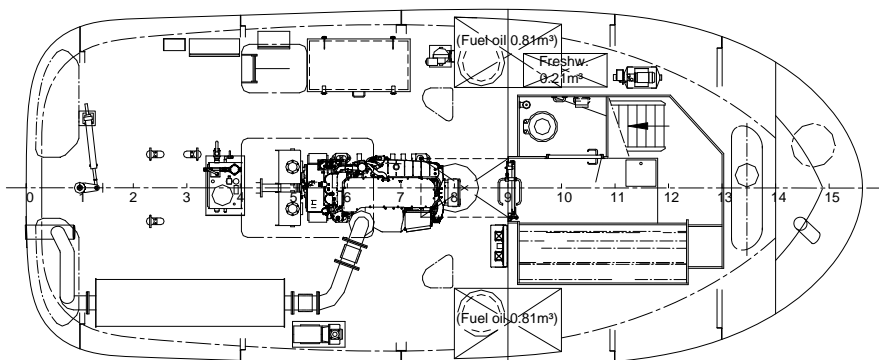
Maindeck



Topdeck



Below Maindeck



DAMEN

DAMEN SHIPYARDS GROUP

Avelingen-West 20
4202 MS Gorinchem
The Netherlands

P.O. Box 1
4200 AA Gorinchem
The Netherlands

phone +31 (0)183 63 99 22
fax +31 (0)183 63 21 89

info@damen.com
www.damen.com

© No part of the leaflet may be reproduced in any form, by print, photo print, microfilm, or any other means, without written permission from Damen Shipyards Group