



DAMEN STAN TUG® 1004

"KMB 8"

GENERAL

YARD NUMBER
BASIC FUNCTIONS

501106
Towing and mooring operations,
passengers transport and pilot
services

CLASSIFICATION

Bureau Veritas
I ✱ HULL • MACH Seagoing Launch

OWNER
BUILDING YARD
COUNTRY

Kenya Ports Authority
Damen Shipyards Cape Town
South Africa

DIMENSIONS

LENGTH O.A.
BEAM (INCL. FENDERS)
DEPTH AT SIDES
DRAUGHT AFT

10.67 m
4.52 m
2.05 m
Approx. 1.7 m

TANK CAPACITIES (APPROX.)

FUEL OIL
FRESH WATER
SEWAGE
BILGE WATER

1.62 m³
0.21 m³
0.25 m³
0.30 m³

PERFORMANCES (TRIALS)

BOLLARD PULL
SPEED

4.9 ton(m)
8.8 knots

PROPULSION SYSTEM

MAIN ENGINE
TOTAL POWER
GEARBOXES/RATIO
PROPELLER
NOZZLE

Caterpillar C9 TA Acert
221 kW (296 bhp) at 2000 rpm
Twin Disc MG 5091 / 1:4.5
Kaplan fixed pitch, 1050 mm diam.
Van de Giessen 'Optima' with
stainless steel inner side
Bosch Rexroth
2x double plate high performance
Powered-hydraulic 2x 50° + rudder
indicator

ENGINE CONTROL
RUDDERS
STEERING GEAR

AUXILIARY EQUIPMENT

BATTERY SETS
ALTERNATORS
ALARM SYSTEM
BILGE/FIRE FIGHTING SYSTEM

2x 24 V 200 Ah, change over facility
2x main engine driven
Engines, gearboxes + bilge alarm
PTO driven 15 m³/hr with connection to
hydrants in engine room and on deck.
Water separators, filters + SOS valve
Closed cooling system (cooling channels)
Headhunter 24V pressure set, Rheinstrom 24V
sewage discharge pump
2x 2 kg CO₂ and 2x 6 kg dry powder

FUEL OIL SYSTEM
COOLING SYSTEM
SANITARY SYSTEM

FIRE EXTINGUISHERS

DECK LAY-OUT

ANCHOR WINCH
TOWING HOOK
SIDE/ASTERN FENDER

Electrically driven 24V
Mampaey Disc type, 7 ton SWL
Rubber D-fender 125 x125 mm with tyres on
top
Cylindrical rubber fender Ø 300 mm

PUSH BOW

ACCOMMODATION

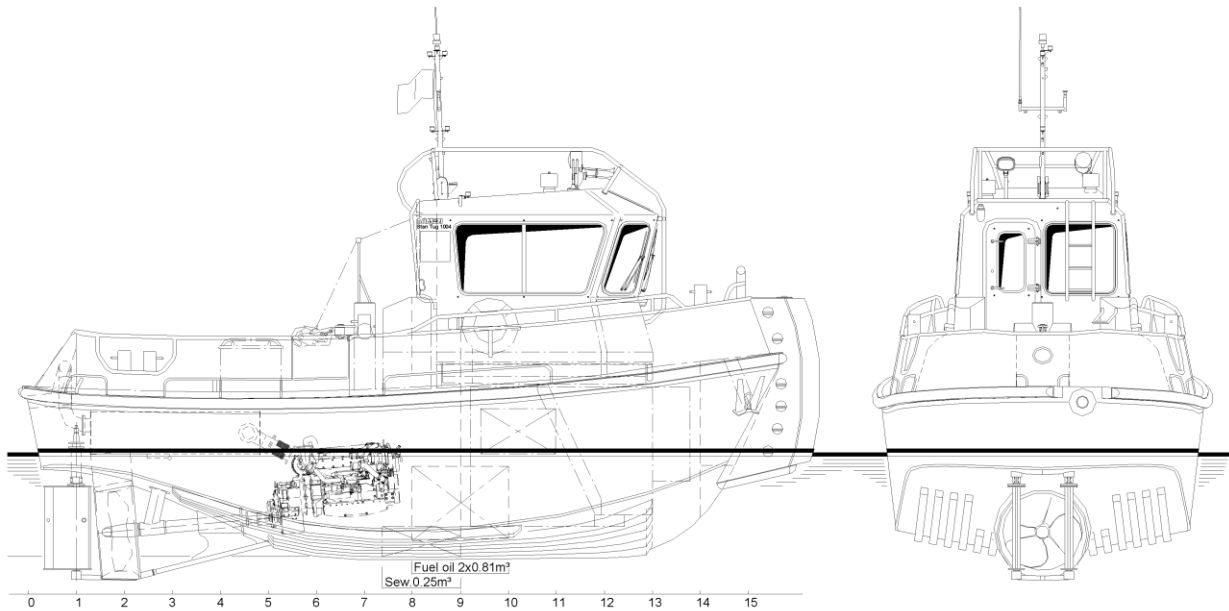
The wheelhouse is resiliently mounted to reduce noise levels. The wheelhouse and below deck accommodation are completely insulated and finished with durable modern linings and rubber/synthetic floor. Wheelhouse with a bench for two persons, a table, wash basin and a helmsman seat. Windows are fitted in aluminium frames. Below deck a toilet, double bunk and lockers are fitted.

NAUTICAL AND COMMUNICATION EQUIPMENT

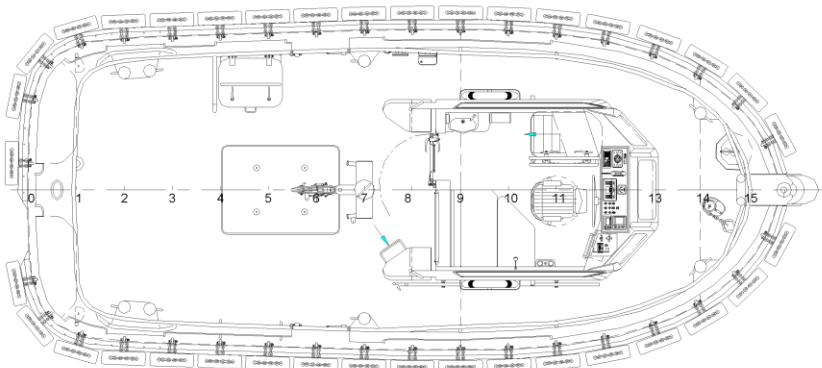
SEARCHLIGHT
RADAR Ø
COMPASS
GPS
ECHO SOUNDER Ø
VHF RADIO TELEPHONE
NAVIGATION LIGHTS
FLOODLIGHT

Den Haan 250 W 24V
Furuno FR 1835
Electric Sigma
Furuno GP-32
Furuno LS 6100
Sailor RT2048, 25 W
Navigation lights incl. towing light
150 Watt on aft deck

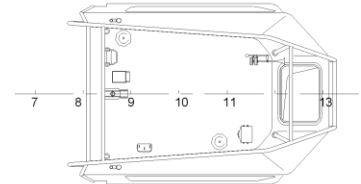
*PICTURE SHOWS SIMILAR VESSEL



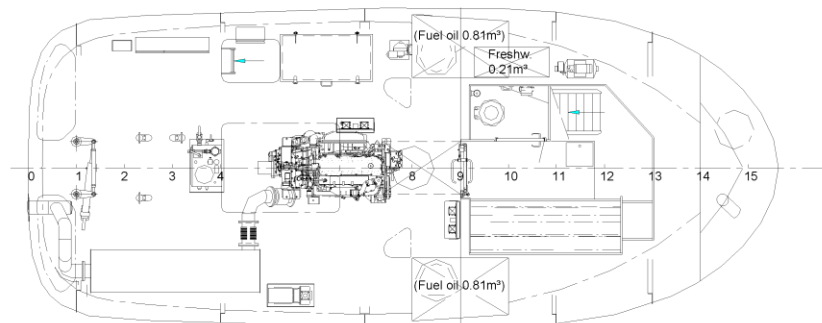
Maindeck



Topdeck



Below Maindeck



DAMEN STAN TUG[®] 1004

"KMB 8"

DAMEN

DAMEN SHIPYARDS GORINCHEM

Member of the DAMEN SHIPYARDS GROUP



Industrieterrein Avelingen West 20
4202 MS Gorinchem

P.O. Box 1
4200 AA Gorinchem
The Netherlands

phone +31 (0)183 63 99 11
fax +31 (0)183 63 21 89

info@damen.nl
www.damen.nl