



DAMEN OFFSHORE SUPPORT TUG 4513

GENERAL

FUNCTIONS

Multirole tug for terminal-, SBM- and FPSO support operations
Bureau Veritas or equivalent
I, *HULL, *MACH, Tug, unrestricted navigation, AUT-UMS, Fire-fighting 1.

CLASSIFICATION

DIMENSIONS

LENGTH O.A.	45.90	m
BEAM MLD.	12.80	m
DEPTH AT SIDES	5.80	m
DRAUGHT DESIGN	4.80	m
DEADWEIGHT	640	ton
DECK LOAD (1 M ABOVE DECK)	200	ton
WORK DECK AREA	200	m ²

TANK CAPACITIES

FUEL OIL	535	m ³
FRESH WATER	75	m ³
BALLAST WATER	75	m ³
SEWAGE	18	m ³
SLUDGE	3	m ³
BILGEWATER	15	m ³
FOAM	55	m ³

PERFORMANCES (APPROX.)

SPEED (AT DESIGN DRAUGHT)	14.5	kn
BOLLARD PULL	80	ton

PROPULSION SYSTEM

MAIN ENGINES	2x 8M25C
TOTAL PROPULSION POWER	5600 bkW (7616 bhp) at 750 rpm
AZIMUTH THRUSTERS	2x CPP in nozzle
PROPELLER DIAMETER	2800 mm
BOW THRUSTER	1x Electric, 320 kW, FP

AUXILIARY EQUIPMENT

NETWORKS	230/440 V, 60 Hz
GENERATOR SETS	2x Caterpillar C9 TA, 269 kVA
EMERGENCY GENERATOR	1x Caterpillar C4.4 TA
COOLING SYSTEM	Fresh water through box cooling

DECK LAY-OUT

ANCHOR WINCH

2x anchor capstans. 2 cable lifters and 2 warpingheads.

FORWARD TOWING WINCH

1x single drum towing winch, 1x 220m rope, 150t brake.

CAPSTANS

2x Electric, each 5 t pull

TUGGER WINCH

2x Electric, 10 t pull

DECK CRANE

1x Electric-hydraulic, 35 tm.

TOWING WINCH

Single drum towing winch, 1x 1000 m rope, 150t brake force 1e layer, 67t pull at 8.6 m/min
140t

TOWING PINS / CHAIN FORK

ACCOMMODATION

A spacious air-conditioned accommodation with 10 cabins is fitted, of which 6 are executed as double cabin.
The accommodation includes a large wheelhouse, ship's office, gym and various stores.

NAUTICAL AND COMMUNICATION EQUIPMENT

EXTERNAL COMMUNICATION

GMDSS A2, AIS

INTERNAL COMMUNICATION

Intercom, PA system, Telephone

NAUTICAL SYSTEMS

X- band radar, autopilot, ECS, DGPS, gyro, echosounder, speedlog

OPTIONS

PERFORMANCE

60t bp

PROPULSION SYSTEMS

Hybrid and father-Son

PROPULSION

1 additional electric bow thruster, 320 kW

ANCHOR HANDLING TOWING WINCH

Waterfall type anchor handling towing winch, 2x 1000 m rope, 150t brake

CRANES

Alternative deck crane, 80 tm

OIL RECOVERY

A variety of deck mounted equipment

NAVIGATION

GMDSS A3

EXTERNAL COMMUNICATION

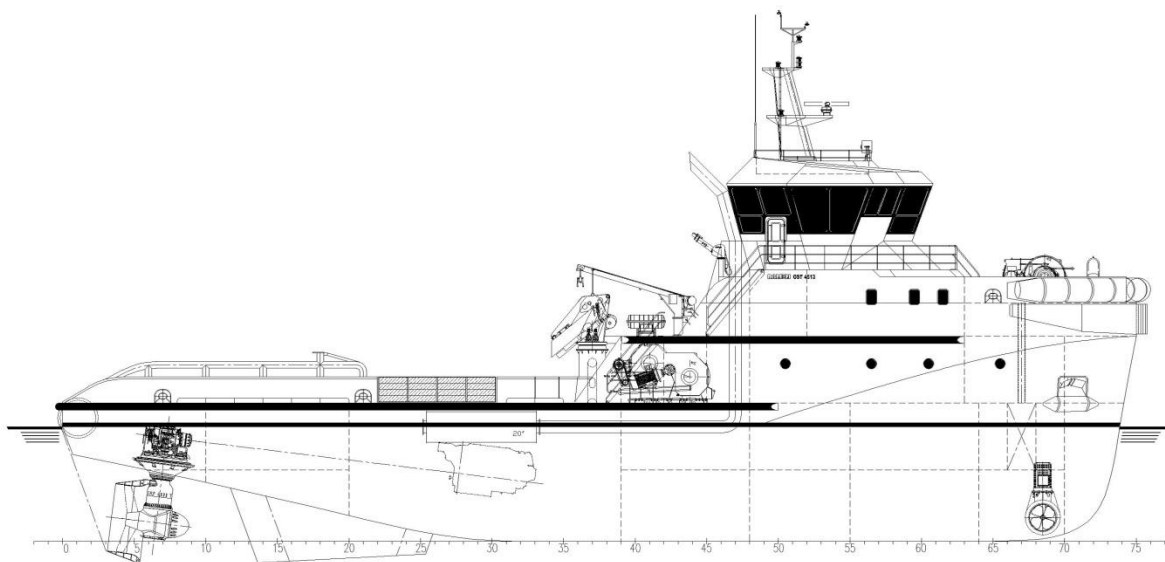
Extra X-band radar or S-band radar, satellite data system, ECDIS, Conning, Infotainment/office automation option packages

INFOTAINMENT

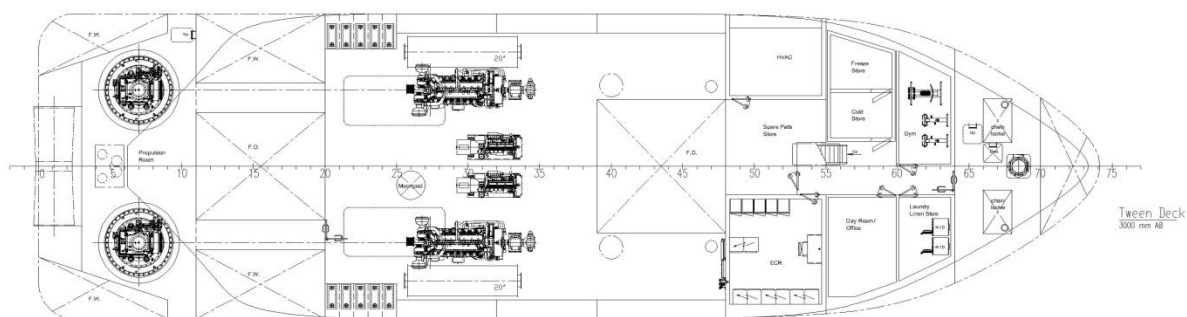
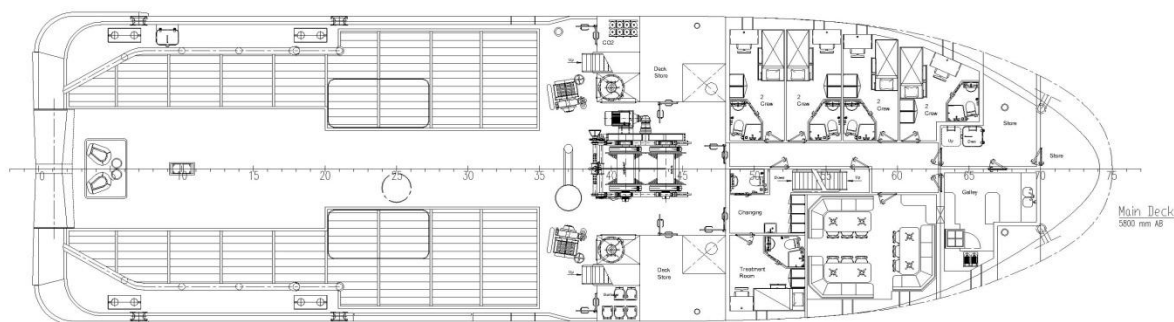
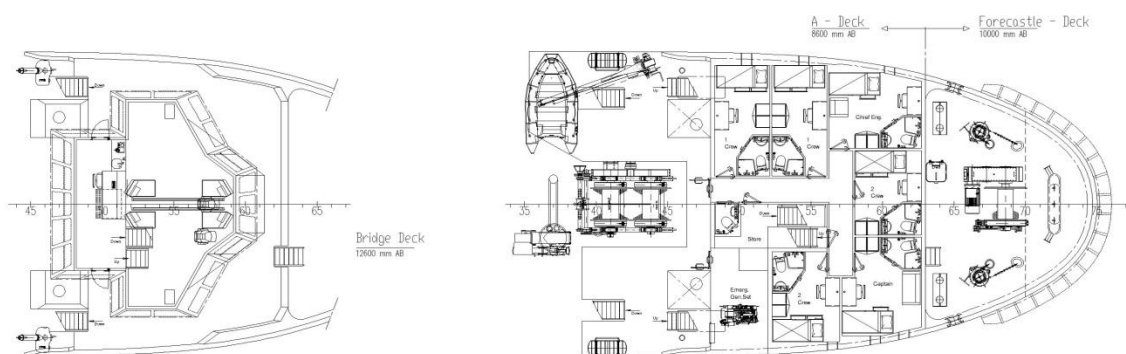
FRC with davit

WORKBOAT

All data presented is preliminary and is subject to change without prior notice. Artist impression and general arrangement plan may show optional equipment. Options may impact performances.



- Top Deck
15400 mm AB
- Bridge Deck
12600 mm AB
- Technical Deck
11400 mm AB
- Forecastle - Deck
10000mm AB
- A - Deck
8600 mm AB
- Main Deck
5800 mm AB
- Tween Deck
3000 mm AB
- Base



DAMEN OFFSHORE SUPPORT TUG 4513

DAMEN
DAMEN SHIPYARDS GORINCHEM

Member of the DAMEN SHIPYARDS GROUP 

Industrieterrein Avelingen West 20
4202 MS Gorinchem

P.O. Box 1
4200 AA Gorinchem
The Netherlands

phone +31 (0)183 63 99 11
fax +31 (0)183 63 21 89

info@damen.com
www.damen.com