

DAMEN STAN PONTOON® B11 RANGE

GENERAL

TYPICAL APPLICATIONS
TYPICAL AREA OF OPERATION
CLASSIFICATION

Deck Cargo, RoRo Cargo
Deep sea, Coastal waters, Harbours, Inland waters
Lloyd's Register + 100 AT Pontoon
IWS for non-propelled and unmanned vessels

DIMENSIONS

LENGTH MOULDED
BEAM MOULDED
DEPTH MOULDED
DRAUGHT MAX
FREE DECK SPACE
DEADWEIGHT MAX

	SPo3011	SPo4111	SPo5211	
LENGTH MOULDED	30,00	40,80	51,60	m
BEAM MOULDED	11,40	11,40	11,40	m
DEPTH MOULDED	2,50	2,50	2,50	m
DRAUGHT MAX	1,98	1,95	1,93	m
FREE DECK SPACE	340	463	585	m ²
DEADWEIGHT MAX	475	665	850	ton

CAPACITIES

DECK LOAD
DECK THICKNESS
VOID SPACES

10 ton/m²
11 mm extra heavy deck
Type SPo3011: 8 pcs. : 815 m³
Type SPo4111: 10 pcs. : 1.105 m³
Type SPo5211: 12 pcs. : 1.400 m³

DESIGN CONDITIONS

SEA WATER TEMPERATURE 0° to +35° C
OUTSIDE AIR TEMPERATURE -5° to +45° C

STANDARD EXECUTION

TOWING BRACKETS
BOLLARDS
DRAUGHT MARKS
BOARDING LADDERS
CATHODIC PROTECTION
MANHOLES
EMERGENCY TOWING
RAMP RECESS
SPUD POLE FOUNDATIONS
LIFTING EYES

One on PS and one on SB at foredeck
6 pcs. standard, insert plates at every section
At fore and aft on PS and SB every 20 cm
2 on SB and 2 on PS in recesses of the hull
Zinc anodes on underwater part of the hull
Flush bolted manholes
Flush mounted towing pin in the bow
RoRo ramp recess at bow (5 x 1.5m) and stern (5 x 1.5m)
Four spud pole foundations in the hull covered with welded steel plates
Four lifting eyes flush with main deck and covered with bolted steel plates to lift the pontoon

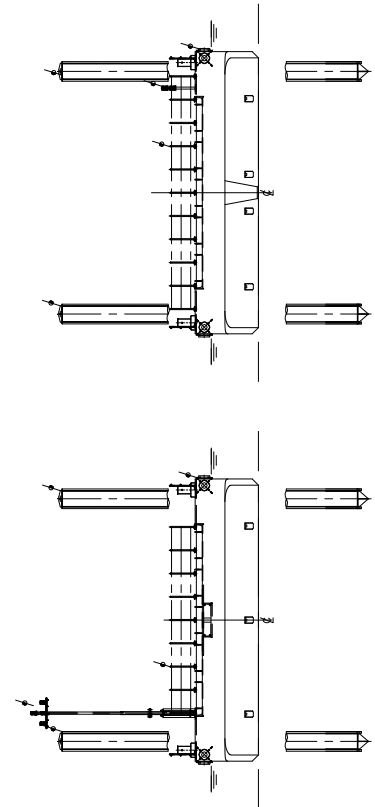
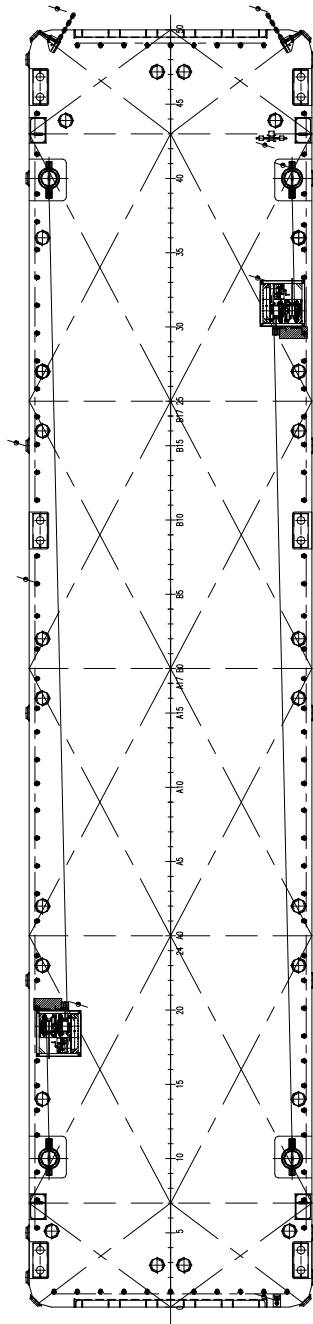
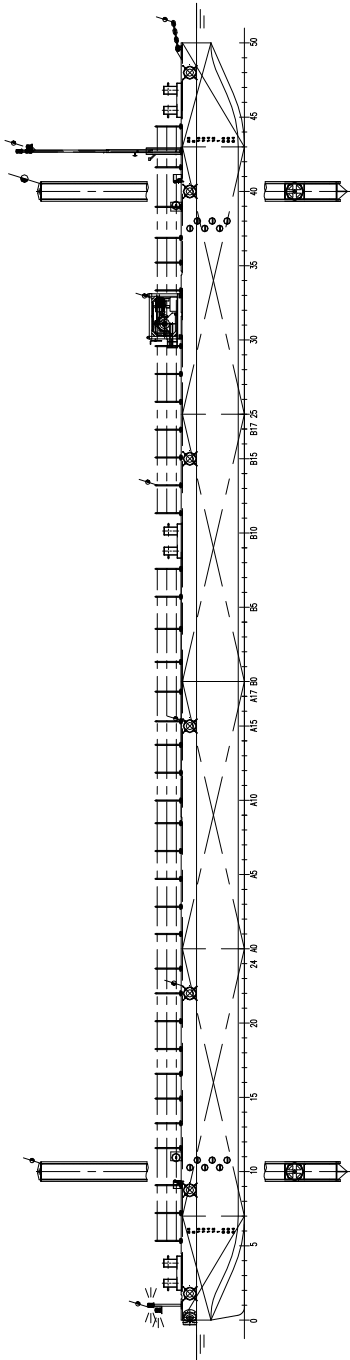
OPTIONAL EQUIPMENT (PLUG AND PLAY)

FENDERING
TOWING ARRANGEMENT
EMERGENCY TOWING
NAVIGATION LIGHTING
ANTI-FOULING
RAILING
RAMP PANELS
SPUD POLES
SPUD WINCHES

Tyre fender system
Chains and towing bridle
Emergency towing wire with buoy
Navigation lights according to the standard for international towage
Anti-fouling paint system
Removable stanchions with wire guard rails 1.5 meter width and 12 meter length
1 – 4 pieces
2 diesel driven double drum spud winches to operate 4 spud poles

* Mentioned deadweight is calculated and excluding optional equipment

* Picture shows an Artist Impression of a Stan Pontoon B11 with full option package



DAMEN STAN PONTOON® B11 RANGE

DAMEN

DAMEN SHIPYARDS GORINCHEM

Member of the DAMEN SHIPYARDS GROUP



Industrieterrein Avelingen West 20
4202 MS Gorinchem

P.O. Box 1
4200 AA Gorinchem
The Netherlands

phone +31 (0)183 63 99 11
fax +31 (0)183 63 21 89

info@damen.nl
www.damen.nl