



DAMEN JETTY 2005

"YN 523027"

GENERAL

Yard number	523027
Basic functions	The Damen Jetty is a modern jetty to which Damen vessels can berth safely, built in steel to standard design.
Description	The jetty is used for embarking and disembarking passengers of water taxi's and for bunkering fuel oil of the water taxi.
Classification	ILT (Inspectie Leefomgeving Transport)

DIMENSIONS

Length o.a.	20.00 m
Beam o.a.	5.00 m
Depth at sides	2.00 m
Draught	0.80 m

CAPACITIES

Fuel	2x 7.5 m ³
Lubrication oil	1x 1.5 m ³
Dirty oil	1x 1.5 m ³
Ballast	2x
Max. deck load	500 kg/m ²

DECK LAY-OUT

Spud	2x
Spud dimension	Ø 1000 mm x 27 m
Spud bracket	2x
Bollard (double)	12x

GANGWAY 1

Length	13.50 m
Width	5.00 m
Max. load	500 kg/m ²

GANGWAY 2

Length	7.20 m
Width	5.00 m
Max. load	500 kg/m ²

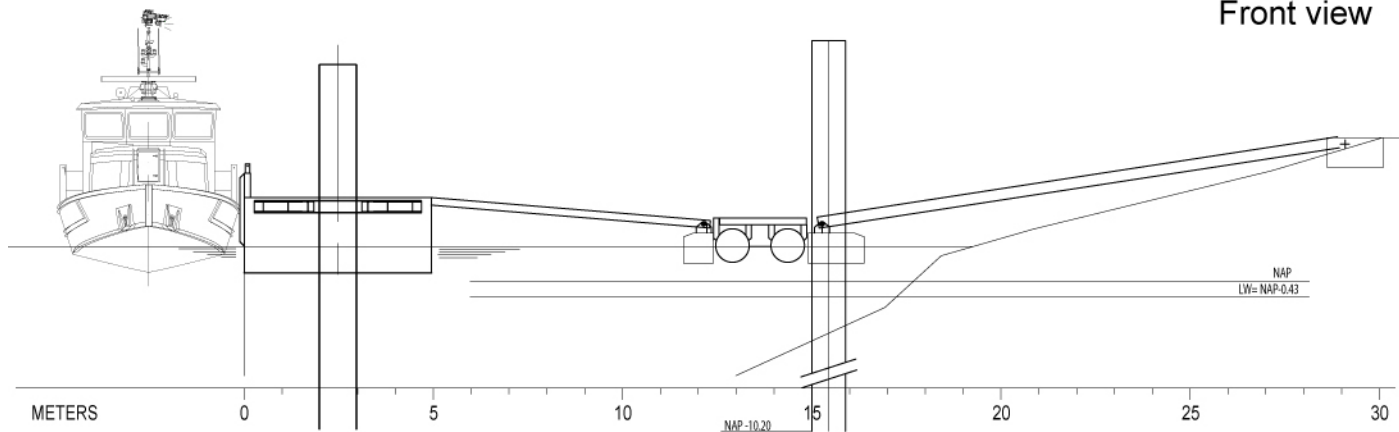
LIVE SAVING EQUIPMENT

Life buoy	4x
Fire extinguisher	2x

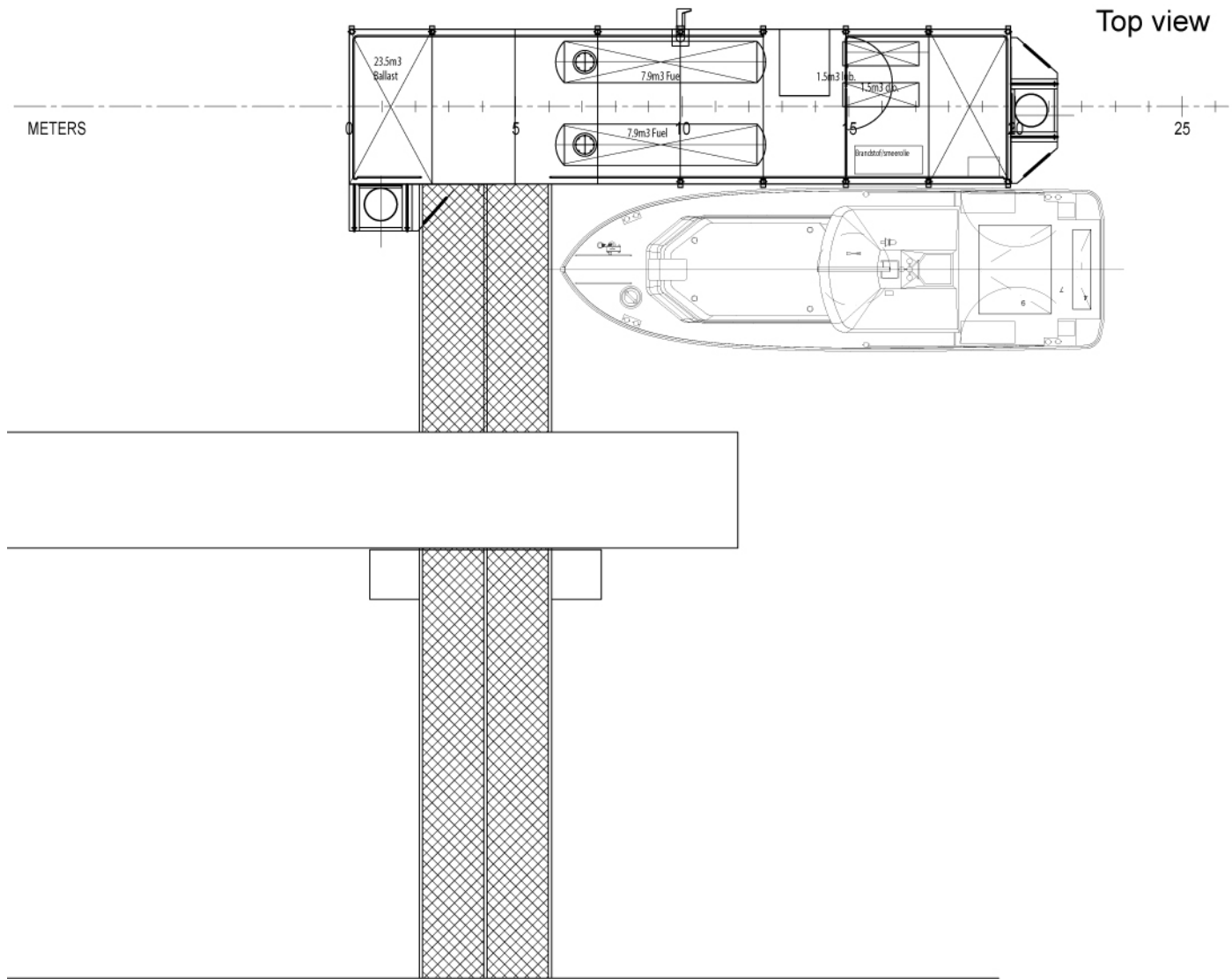
FEATURES

Fender + bollard	12x
Fuel supply pistol	1x
Lubrication oil pistol	1x
Automatic ramp	1x
Lightpost	2x
Catch device	1x
Store	1x

Front view



Top view



DAMEN JETTY 2005

"YN 523027"



DAMEN SHIPYARDS GORINCHEM

Member of the DAMEN SHIPYARDS GROUP 

Industrieterrein Avelingen West 20
4202 MS Gorinchem

P.O. Box 1
4200 AA Gorinchem
The Netherlands

phone +31 (0)183 63 99 11
fax +31 (0)183 63 21 89

info@damen.com
www.damen.com

DSGo-C&MC-2016-08-04

© No part of the leaflet may be reproduced in any form, by print, photo print, microfilm, or any other means, without the written permission from Damen Shipyards Gorinchem.