



DAMEN MODULAR FLOATING DRYDOCK 5020

Outline Specification MFDD 5020-4S - 1500t

GENERAL

Ref number	320-MFDD 5020-4
Description	Modular drydock type 5020, for vessels up to 1.500t and up to 50t/m keel load, including all types Damen Tugs. Bottom pontoons are 2,35m depth. Pontoons fit in the drydock itself for in-house maintenance.
Classification	optional: LR or BV

DIMENSIONS (drydock)

Length over all	50,3 m
Beam over all	26,0 m
Depth to upper deck	11,60 m
Depth to drydock floor	2,35 m
Max draught	10,5 m
Min Freeboard to upper deck (when fully submerged)	1,10 m
Min Freeboard to dock floor (with 1.500t load)	0,3 m
Length over keel blocks	50,0 m
Internal width at upper deck level	20,0 m
Internal width at dock floor level	21,0 m
Max draught over 1,25m blocks	6,3 m
Max draught above dragline pl.	7,2 m
Number of bottom pontoons	4 pcs

DIMENSIONS (vessel in drydock)

Max length	50,0 m
Max width	19,5 m
Max. Displacement	1.500 t
Max draught (on keel blocks)	6,0 m
Max draught (on dragline plates)	6,9 m
Max trim	3,0 cm/m

CAPACITIES

Max. lifting capacity (0,3m freeboard to dock floor)	1.500 t
Max. load on center line	50 t/m
Max. load of one keel block	50 t
Total no of keel blocks	68 pcs
Max. load dock floor	10 t/m ²
Drydock floor thickness	13 mm

BALLAST SYSTEM

Ballast volume pontoon (approx)	3.750 m ³
Ballast volume side walls	1.600 m ³
No of pumps in each pontoon	2 pcs
Total ballast cap (approx)	1.850 m ³ @10mwc
Pump rooms & voids volume	665 m ³
Ballast piping hot dip galvanised	100 %

PERFORMANCES (APPROX.)

Lifting time (from 10,5m to 2,35m draught, empty drydock)	50-75 min
Sinking time (from 2,35m to 10,5m draught, empty drydock)	50-75 min

CRANE

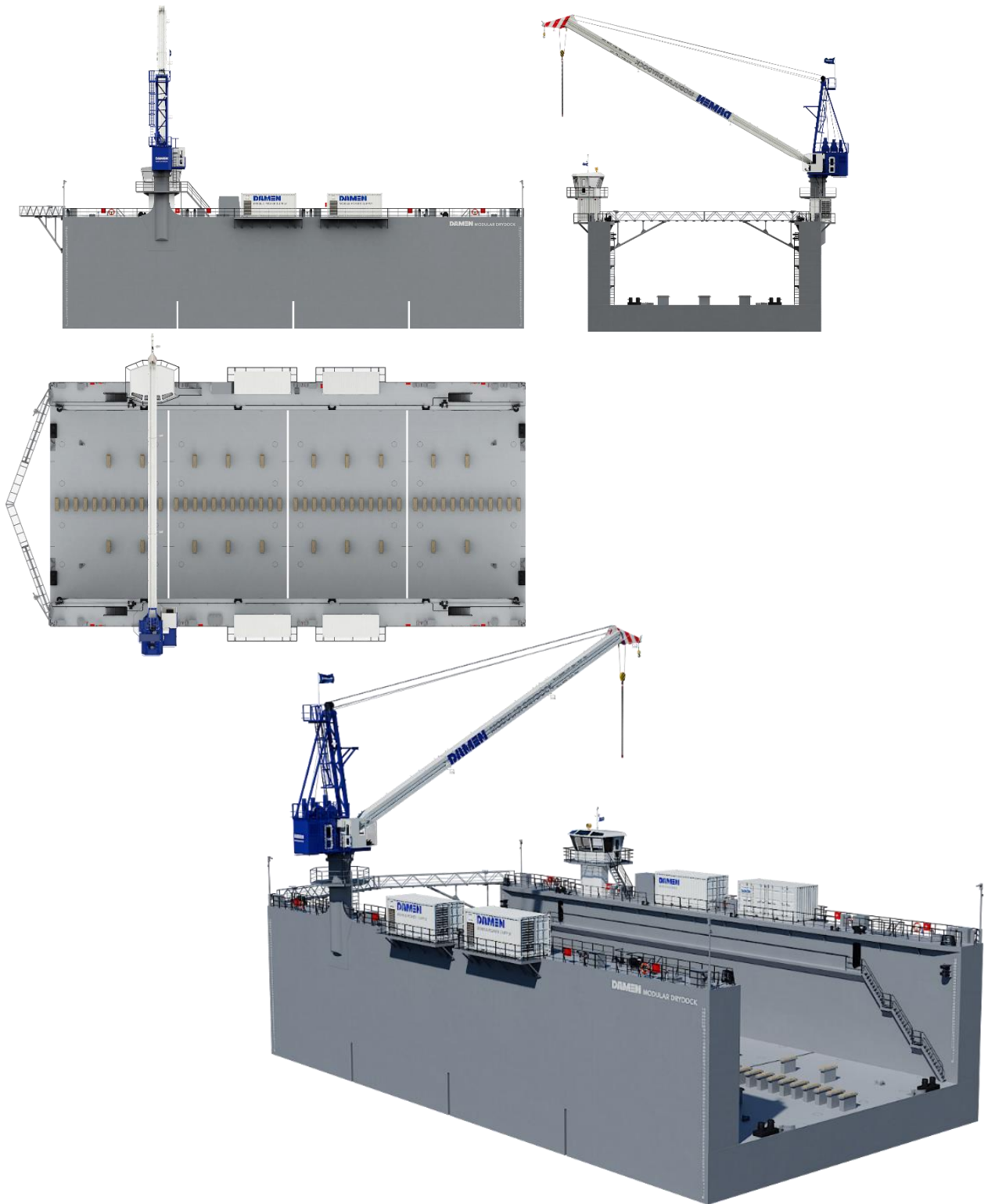
No. of drydock cranes	1 pcs
Main hoist lift capacity	15 t @ 16m
	15 t over keel blocks
	6 t @ 33m
Max main hoist reach	33 m
Aux hoist lift capacity	2 t @ 9-35m
Max aux hoist reach	35 m
Control via remote control unit	yes
Control via operator cabin	yes
Max power consumption (380v)	75 kW

CONTROL ROOM

Control Room equipment	Ballast tank level system, Ballast control panel, Alarm panel, E-switchboard
Drydocking equipment	Deflection monitoring system (2x), alarm system, List & Trim monitors and backup, draft indication system
Standard equipment	VHF radio, anemometer, searchlight, binoculars, barometer, clock
Other standard equipment	AC unit, charger for handheld VHF, charger for Crane Remote, first aid kit, fire extinguisher, life buoy with line.

FIRE FIGHTING SYSTEM

No. of fifi pumps	2 pc
Fifi pump capacity, each	30 m ³ @40mwc
No. of hydrants upper deck	8 pcs
No. of hydrants dock floor	8 pcs
Fifi piping hot dip galvanised	100 %




MODULAR FLOATING DRYDOCK 5020

Outline Specification MFDD 5020-4S - 1500t

DAMEN

DAMEN SHIPYARDS GORINCHEM

Member of the DAMEN SHIPYARDS GROUP 

Industrieterrein Avelingen West 20
4202 MS Gorinchem

P.O. Box 1
4200 AA Gorinchem
The Netherlands

phone +31 (0)183 63 99 11
fax +31 (0)183 63 21 89

info@damen.com
www.damen.com