



DAMEN INBOARD RHIB 1200

GENERAL

PROJECT NUMBER	--
HULL	Vacuum infused FRP (Fibre Reinforced Plastic/Corecell)
TUBE/COLLAR	Hypalon-Air Ø 650mm, 1670 D tex D-shape/O-shape Slides in aluminium extrusion 7 chambers
BASIC FUNCTIONS	Fast boarding, interception and patrol
CLASSIFICATION (OPTIONAL)	Lloyds
OWNER	-

DIMENSIONS

LENGTH O.A.	12.00	m
BEAM O.A.	3.35	m
BEAM DEFLATED	2.75	m
DRAUGHT AFT (APPROX)	0.55-0.85	m

CAPACITIES

FUEL OIL (APPROX.)	2x350	l.
FUEL OIL (APPROX.) OPTIONAL	2x350	l.
CREW	2	persons
BOARDING CREW	10	persons

PERFORMANCES (PRELIMINARY)

MAX SPEED APPROX. (WITH 3 PERSONS ½ TANKS)	40+	knots
CRUISING SPEED	30	knots
RANGE @ ECONOMICAL SPEED APPROX.	180	nm

PROPULSION SYSTEM

MAIN ENGINES	2x Volvo Penta D6
TOTAL POWER	2x 272 bkW (370bhp) @ 3500 rpm
PROPULSION	2x Volvo Penta DPH sterndrive

AUXILIARY EQUIPMENT

ELECTRIC POWER SUPPLY	2x Battery 12V (1 start and 1 light battery), buffered trough engine alternator
BILGEWATER PUMPS	2x 12V submersibles and 3x manual
STEERING	Full power steering, manual back up
FIXED FIRE FIGHTING	1x Stat-X Aerosol

DECK LAY-OUT

FLUSH DECK HATCH	1x Baier 15x24"
ANCHOR	1x Fortress 4.5kg HHP with lead line
INFLATABLE LIFE JACKETS (OPTIONAL)	12x Besto 275N
FIRE EXTINGUISHER	1x 2l. foam (1x optional)
FIRST AID KIT	1x basic kit

SEATING

CREW SEATS	2x jockey (suspension optional)
PASSENGER SEATS	10x jockey (suspension optional)
OPTIONAL PASSENGER SEATS	4x jockey (suspension optional)

NAUTICAL AND COMMUNICATION EQUIPMENT

Console provided with dry compartment and dedicated electrical compartment, heated and ventilated. Engine instruments protected by watertight heated window.

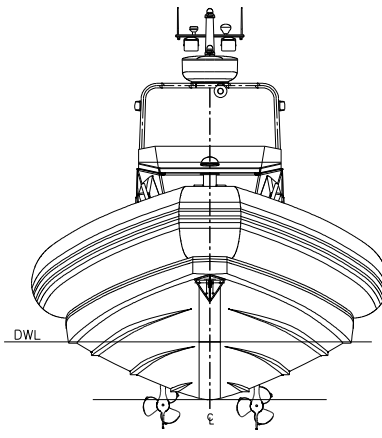
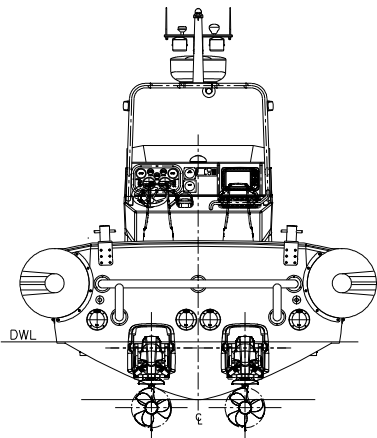
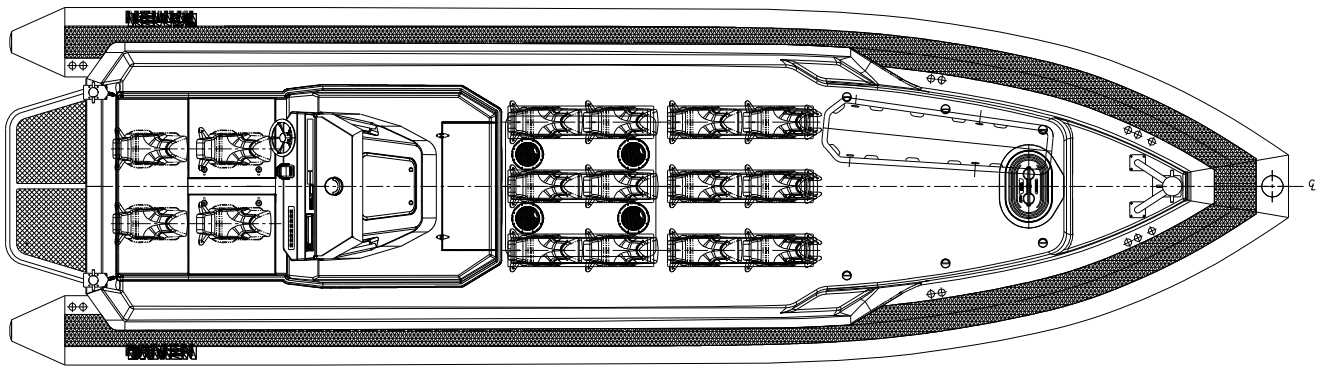
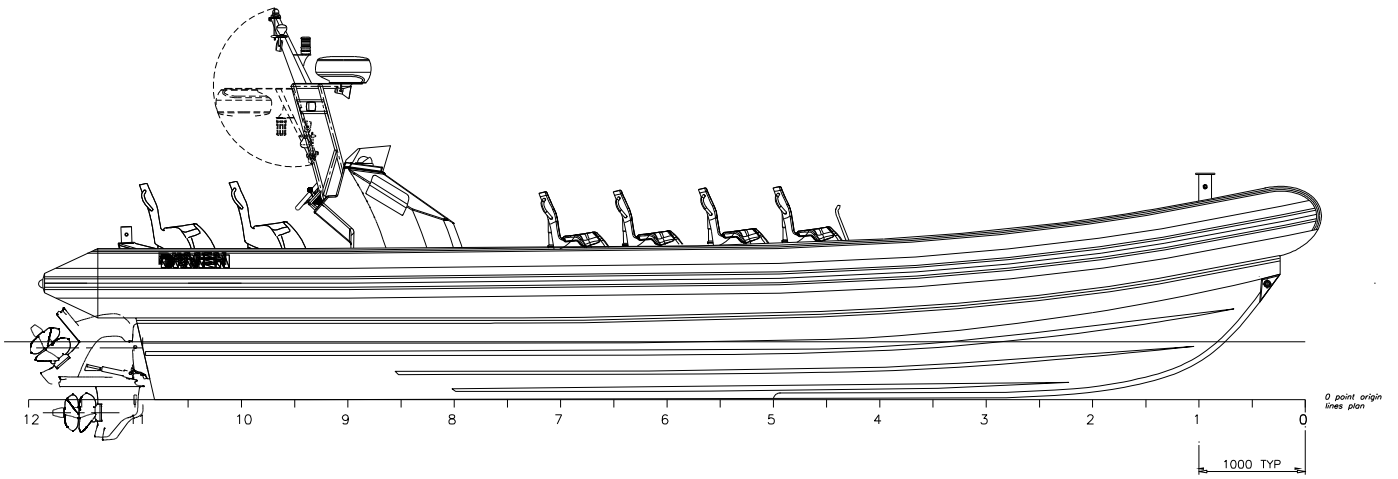
MAGNETIC COMPASS	1x Ritchie Supersport
VHF + ANTENNA	1x ICOM
SEARCHLIGHT	1x Aquasignal, Bremen
CHART PLOTTER, GPS, TRANSDUCER	1x Raymarine, Multifunctional Display
RADAR	1x Raymarine
LOUD HAILER/HORN	1x Marco
FLOOD LIGHTS	2x Hella, led
FLASH LIGHT	1x Aqua signal, led
NAVIGATION LIGHTS	3x Hella, led

VARIOUS

3x Lifting points integrated with bollards
1x Integrated towing eye
1x Folding mast (road transport)
2x Removable aluminium fuel tanks/tank hatch

NOTE: SOME ITEMS IN THIS SPECIFICATION ARE OPTIONAL. SPECIFICATION AND GENERAL ARRANGEMENT CAN BE CHANGED WITH OUT NOTICE.

Preliminary



DAMEN INBOARD RHIB 1200

DAMEN

DAMEN SHIPYARDS HARDINXVELD

Member of the DAMEN SHIPYARDS GROUP



Rivierdijk 544
3371 EB Hardinxveld-Giessendam

P.O. Box 60
3370 AB Hardinxveld-Giessendam
The Netherlands

phone +31 (0)184 61 30 88
fax +31 (0)184 61 77 93

info-dsha@damen.com
www.damenshipyardshardinxveld.nl

© No part of the leaflet may be reproduced in any form, by print, photo print, microfilm, or any other means, without written permission from Damen Shipyards Hardinxveld.

Preliminary