



# DAMEN INBOARD RHIB 1050

## GENERAL

PROJECT NUMBER	YN 571710
HULL	Vacuum infused FRP (Fibre Reinforced Plastic/Corecell)
TUBE/COLLAR	Hypalon-Air Ø 650mm, 1670 D tex D-shape/O-shape Slides in aluminium extrusion 7 chambers
BASIC FUNCTIONS	Fast boarding, interception and patrol
CLASSIFICATION HULL OWNER	Lloyds Register -

## DIMENSIONS

LENGTH O.A.	10.50	m
BEAM O.A.	3.35	m
BEAM DEFLATED	2.75	m
DRAUGHT AFT (APPROX)	0.55-0.85	m

## CAPACITIES

FUEL OIL	2x350	l.
CREW	2	persons
BOARDING CREW	8	persons

## PERFORMANCES

MAX SPEED	50+	knots
CRUISING SPEED	40	knots
RANGE APPROX.	200	nm (10% reserve)

## PROPULSION SYSTEM

MAIN ENGINES	2x Volvo Penta D6
TOTAL POWER PROPULSION	2x 370 bhp (272kW) @ 3500 rpm 2x Volvo Penta DPR sterndrive

## AUXILIARY EQUIPMENT

ELECTRIC POWER SUPPLY	2x Battery 12V (1 start and 1 light battery), buffered trough engine alternator
BILGEWATER PUMPS	2x 12V submersibles and 3x manual
STEERING	Full power steering, manual back up
FIXED FIRE FIGHTING	1x Stat-X Aerosol

## DECK LAY-OUT

FLUSH DECK HATCH	1x Baier 15x24"
ANCHOR	1x Fortress 4.5kg HHP with lead line
INFLATABLE LIFE JACKETS	10x Besto 275N
FIRE EXTINGUISHER	1x 2l. foam (1x optional)
FIRST AID KIT	1x basic kit

## SEATING

CREW SEATS	2x suspension
PASSENGER SEATS	8x suspension
PASSENGER SEATS (OPTIONAL)	2x suspension

## NAUTICAL AND COMMUNICATION EQUIPMENT

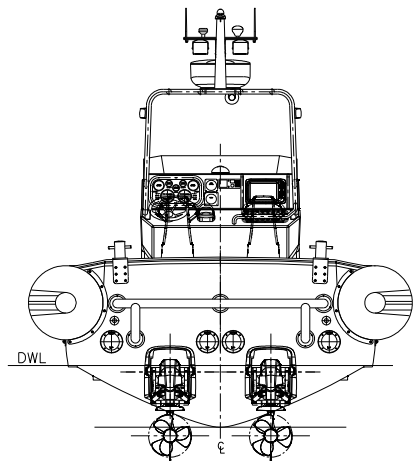
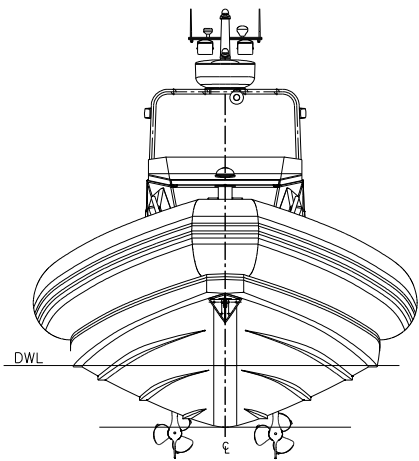
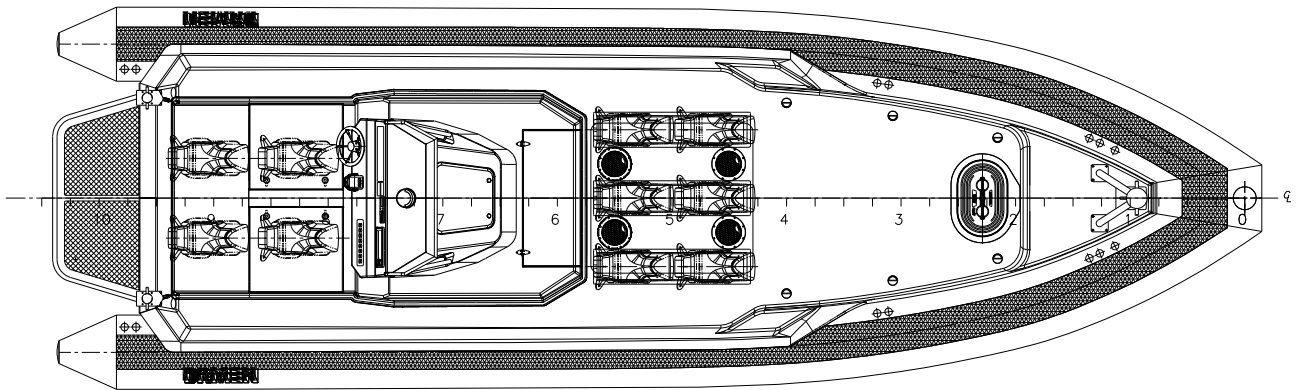
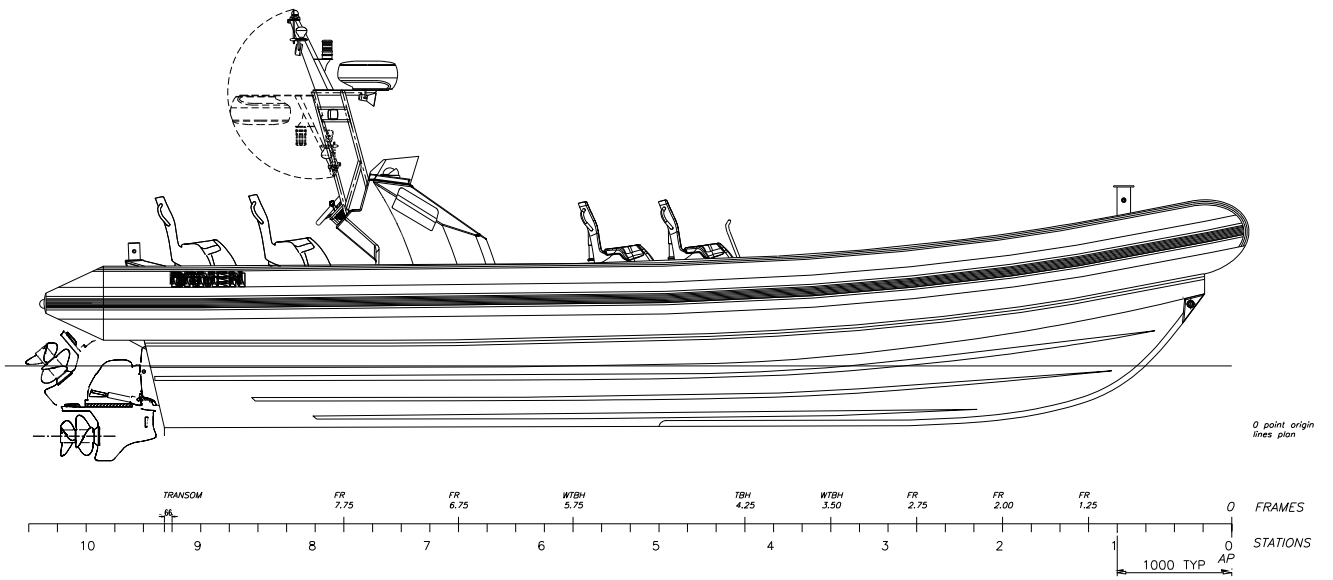
Console provided with dry compartment and dedicated electrical compartment, heated and ventilated. Engine instruments protected by watertight heated window.

MAGNETIC COMPASS	1x Ritchie Supersport
VHF + ANTENNA	1x ICOM
SEARCHLIGHT	1x Aquasignal, Bremen
CHART PLOTTER, GPS, TRANSDUCER	1x Raymarine, Multifunctional Display
RADAR	1x Raymarine
LOUD HAILER/HORN	1x Marco
FLOOD LIGHTS	2x Hella, led
FLASH LIGHT	1x Aqua signal, led
NAVIGATION LIGHTS	3x Hella, led

## VARIOUS

- 3x Lifting points integrated with bollards
- 1x Integrated towing eye
- 1x Folding mast (road transport)
- 2x Removable aluminium fuel tanks/tank hatch

NOTE: SOME ITEMS IN THIS SPECIFICATION ARE OPTIONAL. SPECIFICATION AND GENERAL ARRANGEMENT CAN BE CHANGED WITH OUT NOTICE.



## DAMEN INBOARD RHIB 1050

**DAMEN**

DAMEN SHIPYARDS HARDINXVELD

Member of the DAMEN SHIPYARDS GROUP



Rivierdijk 544  
3371 EB Hardinxveld-Giessendam

P.O. Box 60  
3370 AB Hardinxveld-Giessendam  
The Netherlands

phone +31 (0)184 61 30 88  
fax +31 (0)184 61 77 93

info-dsha@damen.com  
www.damenshipyardhardinxveld.nl