



# DAMEN CABIN RIB 1200

## GENERAL

PROJECT NUMBER	-
HULL MATERIAL	Vacuum infused FRP (Fibre Reinforced Polymer)
TUBE/COLLAR	Hypalon-Air Ø 650mm, 1670 D tex Slides in aluminium extrusion 7 chambers
BASIC FUNCTIONS	Anti-smuggling interceptor duties. Marine patrol and surveillance in territorial seas. Marine law enforcement operations. Special forces operations, Rapid response actions, Supporting offshore and fast patrol vessels during operations. Support in search and rescue operations
CLASSIFICATION HULL (OPTIONAL)	Lloyds Register
OWNER	✳ 100A1, SSC, Patrol RIB, HSC, G6

## DIMENSIONS

LENGTH O.A.	12.00 m
BEAM O.A.	3.35 m
BEAM DEFLATED	2.75 m
DRAUGHT MAX APPROX.	0.95 m

## CAPACITIES

FUEL OIL	2x250 l.
CREW	2 persons
PASSENGERS	6 persons

## PERFORMANCES

MAX SPEED APPROX. (WITH 3 PERSONS ½ TANKS)	40+ knots
CRUISING SPEED APPROX.	30 knots
RANGE APPROX.	150 nm

## PROPULSION SYSTEM

MAIN ENGINES	2x Volvo Penta D6
TOTAL POWER PROPULSION	2x 272 bkW (370bhp) @ 3500 rpm 2x Volvo Penta DPH sterndrive

## ELECTRICAL EQUIPMENT

BATTERIES	2x Battery 12V (1 start and 1 light battery), buffered trough engine alternator
-----------	---

## DECK LAY-OUT

ANCHOR EQUIPMENT	1x 7 kg Fortress HHP with lead line
FLUSH DECK HATCH	1x Baier 15x24"

## WHEELHOUSE

MATERIAL	FRP (Fibre Reinforced Polymer)
HVAC (OPTIONAL)	12V air conditioning system
SEATING	2x jockey ( optional suspension seats)
PASSENGER SEATING (OPTIONAL)	6x jockey (optional suspension seats)

## LIFE SAVING EQUIPMENT

LIFE BUOYS	2
LIFE JACKETS (OPTIONAL)	8
LIFE RAFT (OPTIONAL)	8-person
FIRE EXTINGUISHING (OPTIONAL)	1x fixed in engine room, 1x portable

## AUXILIARY EQUIPMENT

ENGINE ROOM VENTILATION (OPTIONAL)	2x extraction fan
BILGE PUMPS	2x 12V submersibles and 3x manual
STEERING	Full power steering, manual back-up

## NAUTICAL, SURVEILLANCE AND COMMUNICATION EQUIPMENT

MAGNETIC COMPASS	1x Ritchie Supersport
VHF + ANTENNA (OPTIONAL)	1x ICOM
SEARCHLIGHT (OPTIONAL)	1x
CHART PLOTTER, GPS, TRANSDUCER (OPTIONAL)	1x Raymarine, Multifunctional Display
RADAR (OPTIONAL)	1x Raymarine
LOUD HAILER/HORN (OPTIONAL)	1x Marco
FLOOD LIGHTS (OPTIONAL)	2x Hella, led
FLASH LIGHT (OPTIONAL)	1x Aqua signal, led
NAVIGATION LIGHTS	3x Hella, led

## VARIOUS

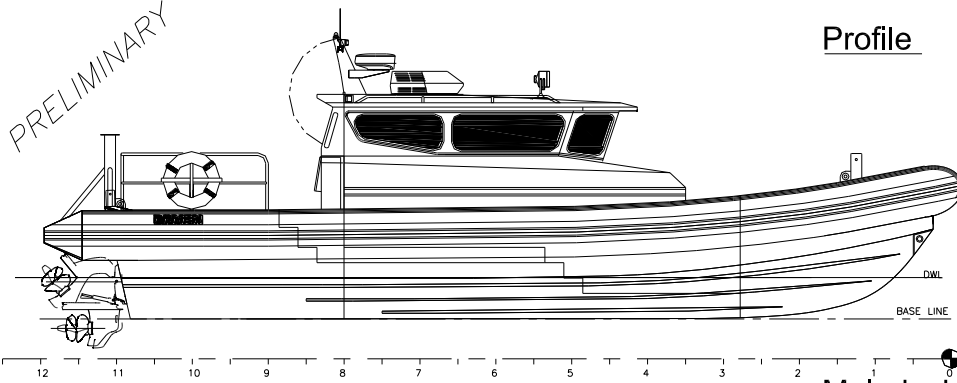
3x Lifting points integrated with bollards, gun mount possible on fore bollard
1x Integrated towing eye
1x Toilet (optional)

NOTE: SOME ITEMS IN THIS SPECIFICATION ARE OPTIONAL. SPECIFICATION AND GENERAL ARRANGEMENT CAN BE CHANGED WITH OUT NOTICE.

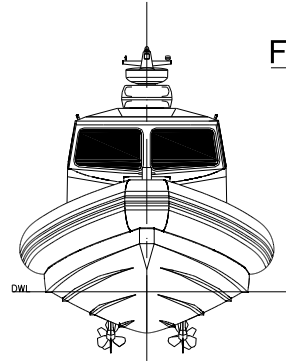
**PRELIMINARY**

PRELIMINARY

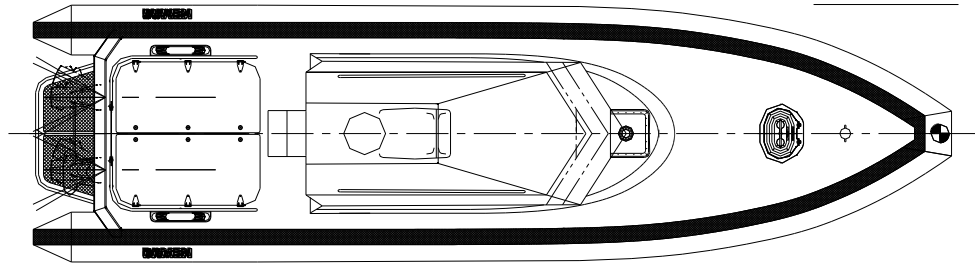
Profile



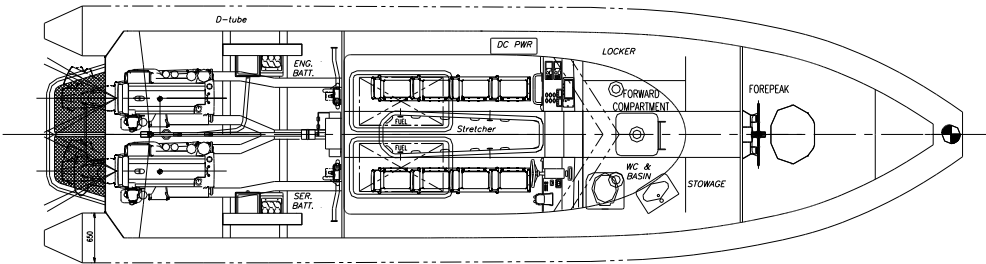
Front view



Maindeck



Below Maindeck



## DAMEN CABIN RHIB 1200

# DAMEN

DAMEN SHIPYARDS HARDINXVELD

Member of the DAMEN SHIPYARDS GROUP



Rivierdijk 544  
3371 EB Hardinxveld-Giessendam

P.O. Box 60  
3370 AB Hardinxveld-Giessendam  
The Netherlands

phone +31 (0)184 61 30 88  
fax +31 (0)184 61 77 93

info-dsha@damen.com  
www.damenshipyardshardinxveld.nl