



OYSTER DREDGER[®]

"JACOBA PRINS"

GENERAL

YARD NUMBER	588
DELIVERY DATE	30-06-2005
BASIC FUNCTIONS	Oyster dredger
FLAG	Netherlands
OWNER	Prins Oesterkweek b.v.

DIMENSIONS

LENGTH O.A.	29.00 m
BEAM O.A.	8.00 m
DEPTH AT SIDES	2.50 m
DRAUGHT AFT	0.93 m
DISPLACEMENT	110 tons

TANK CAPACITIES

FUEL OIL	7.0 m ³
FRESH WATER	0.4 m ³

PERFORMANCES (TRIALS)

SPEED	8,5 knots
-------	-----------

PROPULSION SYSTEM

MAIN ENGINES	Electric motor (2x) frequency controlled
TOTAL POWER	320 kW
GEARBOXES	Veth
PROPELLERS	Veth Z-drive rudderpropellers (2x) contrarotating
CONTROLS/STEERING	Veth
NOZZLES	None
BOW THRUSTER	bowjet

AUXILIARY EQUIPMENT

MAIN GENERATOR SETS	Caterpillar C18 diesel engine with box cooler
CAPACITY	575 kVA
EMERGENCY GEN,SETS	None

DECK LAY-OUT

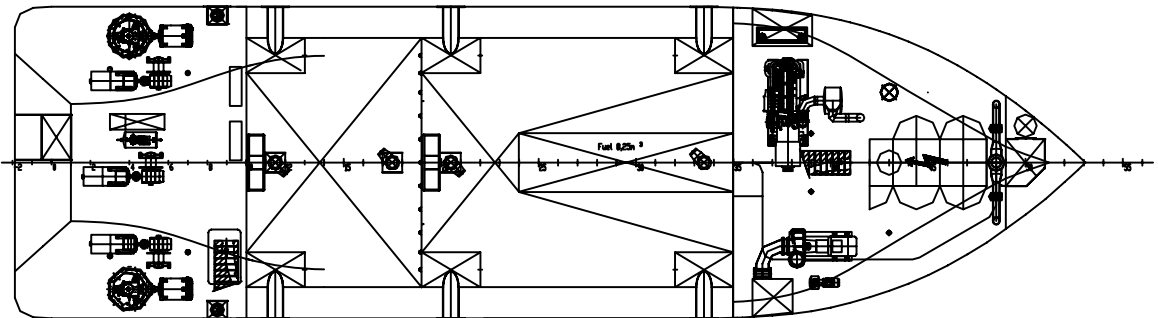
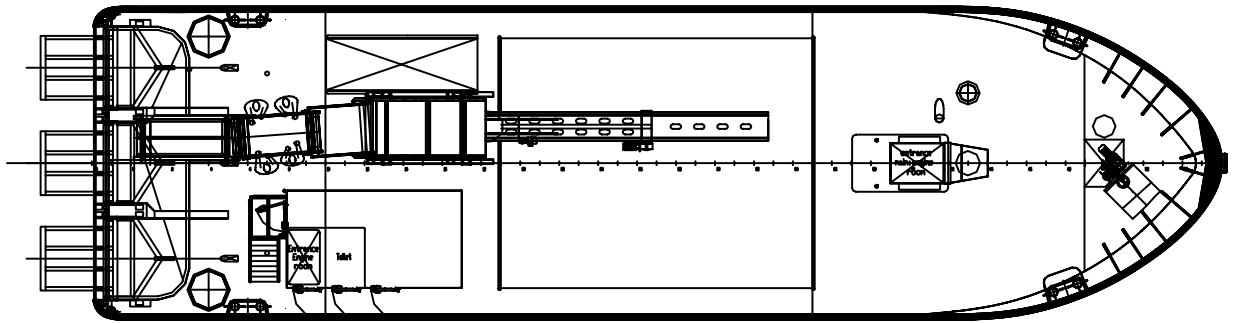
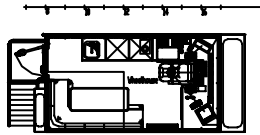
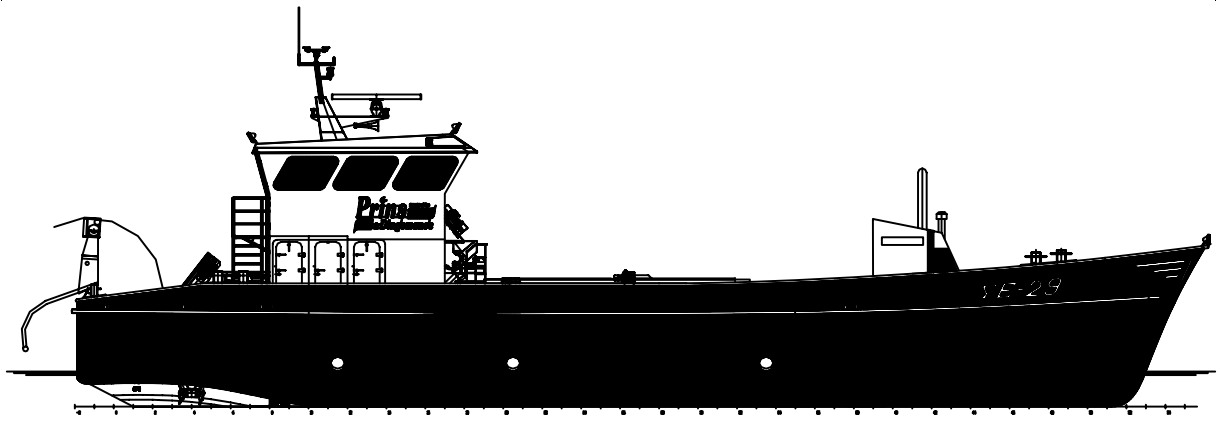
ANCHOR	Pool TW 270 kg
FISHING WINCH	Maaskant patented fishing system with 3x single drum fishing winch make Maaskant-Bruinisse b.v.
DECK CRANE	n.a.
ANCHOR WINCH	Maaskant

ACCOMMODATION

Except for the wheelhouse (with simple galley) no accommodation..

NAUTICAL AND COMMUNICATION EQUIPMENT

RADAR SYSTEM	One color river radar TFT, make JRC type JMA 609-7
GPS	GPS compass, make JRC type JLR-10
ECHOSOUNDER	Writing color sounder, make JRC type FF50
VHF/DSC	VHF (2x) , make SP radio (sailor) type RT 2048 BV
CCTV	On aft ship placed fishing system.
ELECTR. CHARTS	Alphachart



OYSTER DREDGER[®]

"JACOBA PRINS"



MAASKANT SHIPYARDS STELLENDAM

Member of the DAMEN SHIPYARDS GROUP

Deltahaven 40
3251 LC Stellendam

P.O. Box 12
3250 AA Stellendam
The Netherlands

phone +31 (0)187 49 14 77
fax +31 (0)187 49 31 12

info@maaskant-shipyards.nl
www.maaskant-shipyards.nl