



SHELLFISH DREDGER® "DOLFIJN"

GENERAL

YARD NUMBER	590
DELIVERY DATE	30-06-2007
BASIC FUNCTIONS	Shellfish dredger
CLASSIFICATION	Dutch Shipping Inspectorate
REGULATIONS	Lloyd's Register
FLAG	Netherlands
OWNER	v.o.f. Mossel- & Kokkelvisbedrijf Kik

DIMENSIONS

LENGTH O.A.	42.68 m
BEAM O.A.	10.00 m
DEPTH AT SIDES	2.63 m
DRAUGHT AFT	1.10 m
DISPLACEMENT	310 ton

TANK CAPACITIES

FUEL OIL	25.00 m ³
FRESH WATER	4.00 m ³
BILGE WATER	3.00 m ³
RECOVERED/SLOB OIL	2.35 m ³

PERFORMANCES (TRIALS)

SPEED	12 knots
-------	----------

PROPULSION SYSTEM

MAIN ENGINES	Caterpillar C 18 (2x)
TOTAL POWER	894 kW
GEARBOXES	Reintjes WAF 344
PROPELLERS	Van Voorden 1100 mm. 5-bladed
CONTROLS/STEERING	Parker Pneumatics MiniSem/Maaskant-Doedijns
NOZZLES	Van der Giessen Wingnozzles 1110 mm.
BOW THRUSTER	Schottel STT 60 LK. 110 kW electric

AUXILIARY EQUIPMENT

MAIN GENERATOR SETS	Caterpillar C18 (1x)
CAPACITY	575 kVA
EMERGENCY GEN. SETS	Aircooled Hatz (2x)
CAPACITY	30 kVA (2x)

DECK LAY-OUT

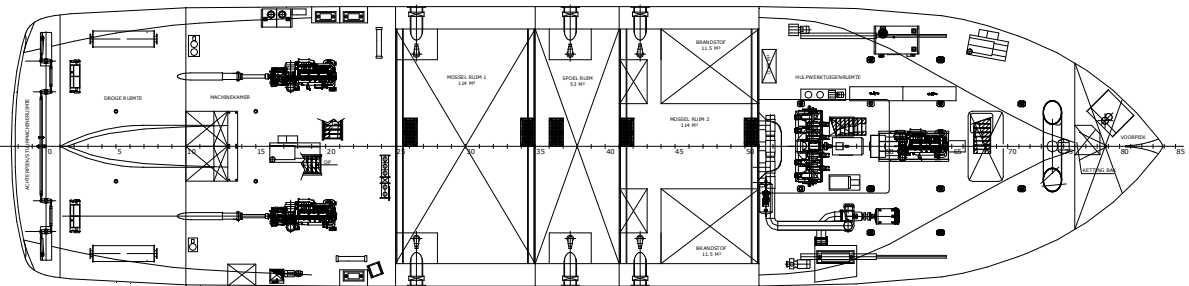
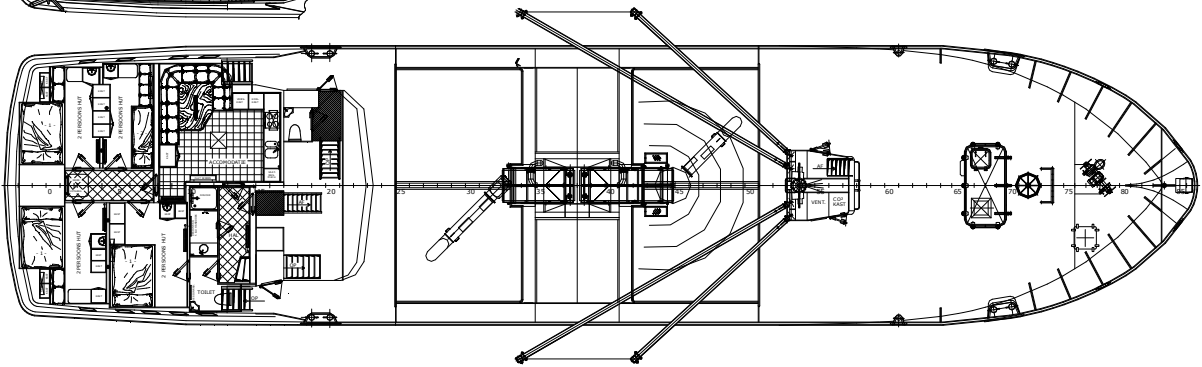
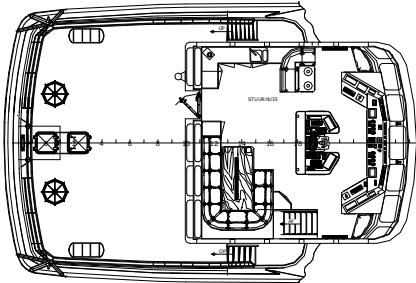
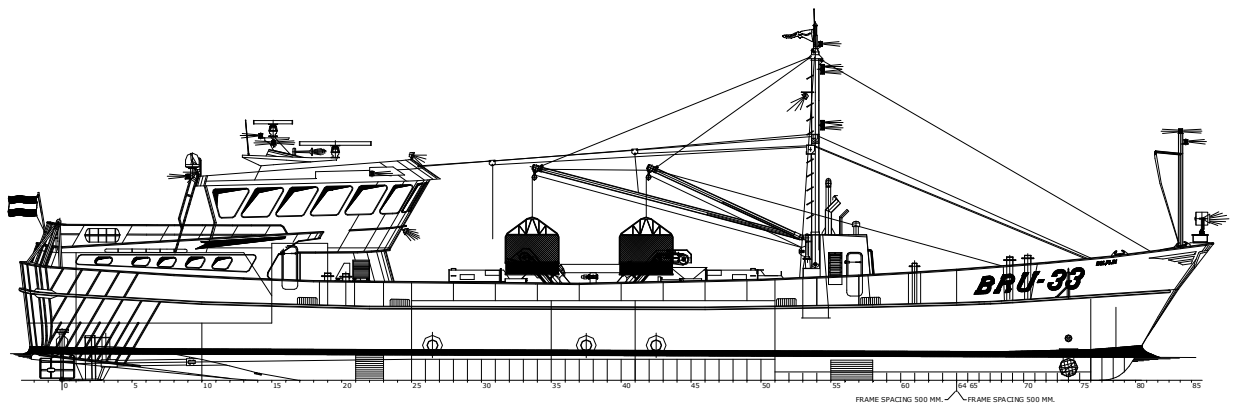
ANCHOR	1 x Pool TW 270 + 1 spare
ANCHOR/TOW.WINCH	Maaskant ANK 90-N1-24DAM
MUSSELFISHINGWINCH	Maaskant M120 EP4-80P4

ACCOMMODATION

Luxurious equipped 4 crewcabins for totally 6 crewmembers, 1 galley/messroom, separate bathroom with shower and toiletroom

NAUTICAL AND COMMUNICATION EQUIPMENT

RADAR SYSTEM	Searadar Furuno Far 2117/Riverradar RHRS-2005
GYRO COMPASS	Furuno SC 50 with 3 built in GPS antennas
GPS	Furuno GP 150
ECHOSOUNDER	Furuno FCV 585 50/200 kHz (2x)
VHF/DSC	Sailor RT 5022 (2x)
SSB/DSC	Jotron TR20 (2x)
AIS	Furuno FA 150
NAVTEX	Furuno NX7008
ANEMOMETER	Radio Zeeland ECO 130
SEVERAL	Periskal Tresco and Trax Fishlite plotter, CCTV-system, Marble watchalarm, pilot ECO 500, Seapilot 75, Seatel Coastal C18 TV-receiver, intercom ECO 700, EPIRB, Sart



SHELLFISH DREDGER®

"DOLFIJN"



MAASKANT SHIPYARDS STELLENDAM

Member of the DAMEN SHIPYARDS GROUP

Deltahaven 40
3251 LC Stellendam

P.O. Box 12
3250 AA Stellendam
The Netherlands

phone +31 (0)187 49 14 77
fax +31 (0)187 49 31 12

info@maaskant-shipyards.nl
www.maaskant-shipyards.nl