



DAMEN CUTTER SUCTION DREDGER 350

GENERAL

Yard No.	B08.0263 – YN561305
Type	CSD350
Delivery date	February 2009
Basic functions	Maintenance dredging

DREDGING FEATURES

Dredging depth	9 m (ladder angle at 45°)
Mixture capacity	2000 m ³ /h

DREDGE INSTALLATION

Dredge pump type	BP3530MD
Diam. suction/discharge pipe	350 mm
Cutter type	TSC04 (with serrated knives)
Cutter power	55 kW

ENGINE INSTALLATION

Dredge pump main diesel	Caterpillar 3412E DITA
Continuous power rating	JWAC IMO version 485 kW @ 1800 rpm
Hydraulic installation	for cutter, winches and spuds
Electrical installation	24 Volt DC

PRINCIPAL DIMENSIONS

Length o.a. incl. ladder	26.0 m
Length over pontoon	16.5 m
Beam	6.0 m
Depth	1.5 /2.4 m
Draught	0.8 m

TANK CAPACITIES

Fuel oil 2 x 4.0 m³

DECK MACHINERY

Ladder winch	hydraulic, 50 kN, 0-15 m/min
Swing winches (2x)	hydraulic, 50 kN, 0-15 m/min
Hydraulic cylinder	stroke 1250 mm
Spud poles (2x)	

DREDGING INSTRUMENTATION

- Dredging depth indicator
- Vacuum and pressure indication of dredge pump
- Necessary hydraulic and diesel engine controls and instruments

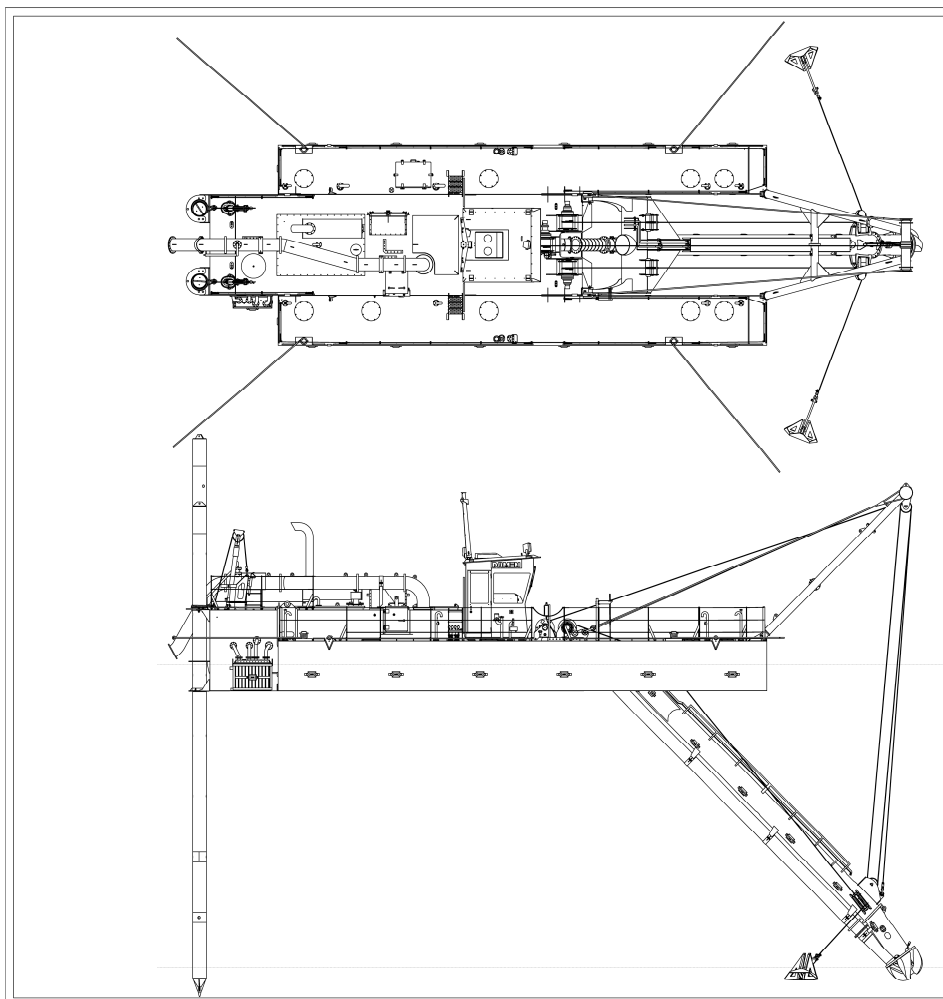
REMARKABLE FEATURES

- Navigation package
- Adjustable cutter unit position
- Positioned with two winches and two spud poles
- Operators cabin with Air-conditioning

OWNER

African client

DAMEN



MODIFICATION		IN	DATE
PTTR	REVISIE		

PRINCIPAL DIMENSIONS
 Length overall - incl. ladder
 spidersons approx. 26 m
 Length over hull 16,5 m
 Width overall 6,0 m
 Depth 1,5/2,4 m
 Draught approx. 0,8 m
 Cutter depth with ladder at 45° 9,0 m
 Ladder depth with ladder at 20° 10,0 m
 Suction pipe diameter 350 mm
 Discharge pipe diameter 250 mm

PART NO.	QTY.	DESCRIPTION	DIMENSIONS	MATERIAL	REMARK	MASS
DAMEN DAMEN DREDGING EQUIPMENT						
<p>General arrangement Cutter suction dredger CSD 350</p>						
Date: 06-1-2009		Scale: 1:50 (I)		Drawn: [Signature]		Sheet: 1
Project: [Signature]		Weight: 50000 kg		Checked: [Signature]		Scale: A1
Drawing No.: [Signature]		Drawing No.: [Signature]		Drawing No.: [Signature]		Sheet No.: 1

DAMEN CUTTER SUCTION DREDGER 350



DAMEN DREDGING EQUIPMENT

Member of the DAMEN SHIPYARDS GROUP

Edisonstraat 32
3861 NE Nijkerk

P.O. Box 1021
3860 BA Nijkerk
The Netherlands

phone +31 (0)33 247 40 40
fax +31 (0)33 247 40 60

info@damendredging.com
www.damendredging.com