



# CUTTER SUCTION DREDGER 250

## PICTURE OF SIMILAR VESSEL

### GENERAL

Type	CSD 250
Basic functions	Capital mining and maintenance dredging

### DREDGING FEATURES

Max. dredging depth	-6 m
Swing width	19,1 m (at max. dredging depth)
Max. mixture capacity	1,000 m <sup>3</sup> /h

### DREDGE INSTALLATION

Dredge pump type	BP2525MD
Diameter suction/discharge pipe	250 mm
Spherical passage pump	130 mm
Cutter type	Crown model (with changeable chisels)
Cutter power	40 kW
Cutter diameter	950 mm

### ENGINE INSTALLATION

Dredge pump diesel	Caterpillar C12 TA
Continuous power rating	254 kW @ 1,800 rpm
Hydraulic installation	Driving cutter, winches and cylinders
Electrical installation	24 V DC

### PRINCIPAL DIMENSIONS

Length o.a. incl. ladder	19,00 m
Length over pontoons	11,50 m
Beam o.a.	4,20 m
Depth	1,50 m
Draught	0,90 m
Air draught	3,60 m
Total weight	30 tons

### TANK CAPACITIES

Fuel oil approx.	6.00 m <sup>3</sup>
Ballast water	4.50 m <sup>3</sup>
Hydraulic oil	0.60 m <sup>3</sup>

### DECK MACHINERY

Ladder hoisting	Hydraulic cylinder stroke 0.8 m
Side wire winches (2x)	Hydraulic, 40 kN, 0-15 m/min
Spuds (2x)	Ø 273 mm, length 9 m
Spud hosting (2x)	Hydraulic cylinder, stroke 1 m

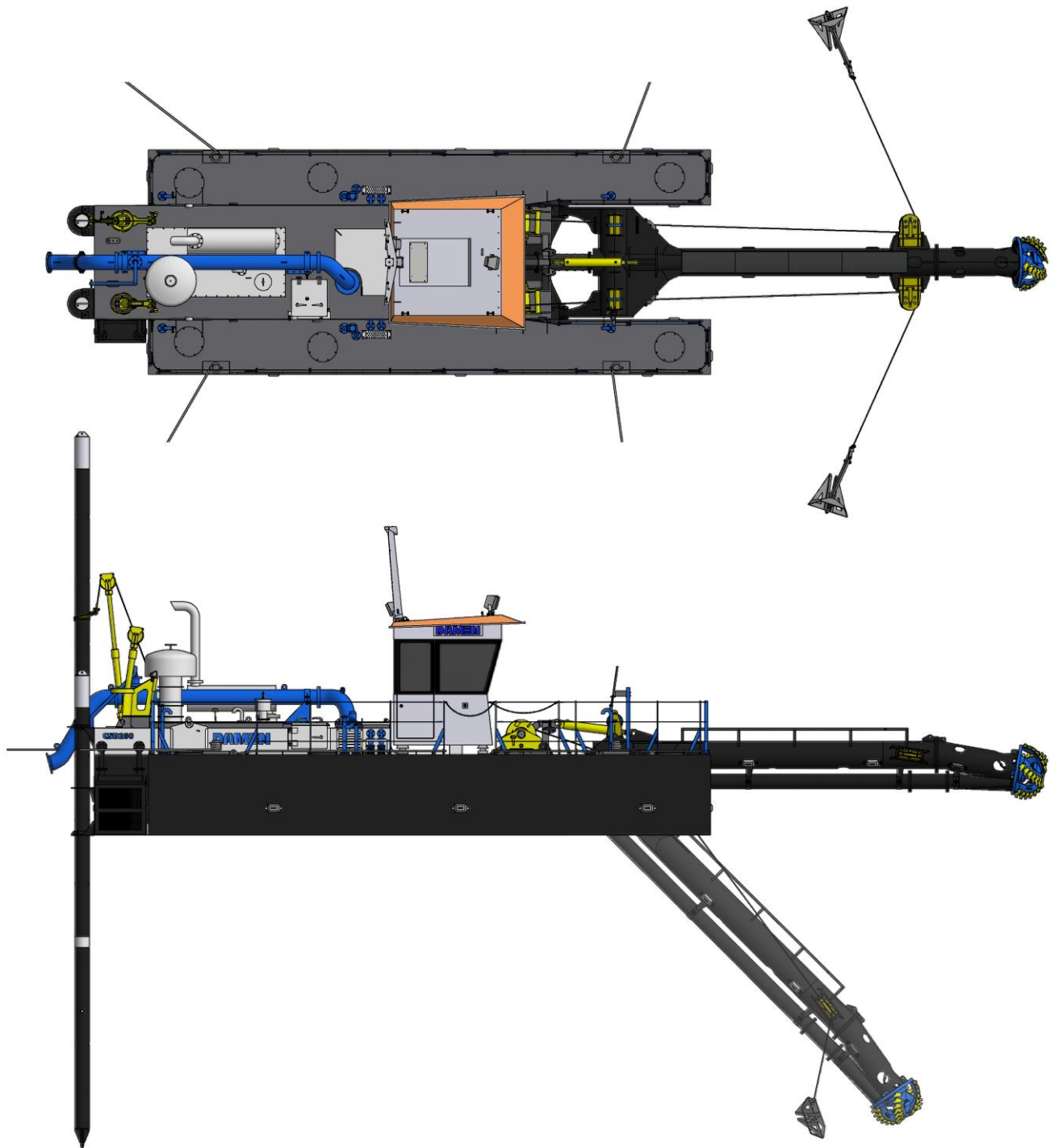
### INSTRUMENTATION

Dredging depth indicator	
Vacuum and pressure indication of dredge pump	

### REMARKABLE FEATURES

- Dismountable design which allows transport by road
- Heavy duty robust design
- Simultaneous operation of all functions possible
- Spacious ergonomic designed control cabin and engine room
- One operator can control the entire dredger from the control cabin
- Transportable in three 40" Open Top Containers
- Large range of standard options are available to customize the CSD

# CUTTER SUCTION DREDGER 250



**DAMEN**

DAMEN SHIPYARDS GROUP

Avelingen-West 20  
4202 MS Gorinchem  
The Netherlands

P.O. Box 1  
4200 AA Gorinchem  
The Netherlands

phone +31 (0)183 63 99 22  
fax +31 (0)183 63 21 89

info@damen.com  
www.damen.com

© No part of the leaflet may be reproduced in any form, by print, photo print, microfilm, or any other means, without written permission from Damen Shipyards Group