



# DAMEN WALKING CUTTER SUCTION DREDGER 250

## "SUSANNA II"

### GENERAL

YARD NO.	B12.0490
TYPE	W-CSD250
DELIVERY DATE	July 2013
BASIC FUNCTIONS	Maintenance dredging

### DREDGING FEATURES

DREDGING DEPTH	-6 m
MAXIMUM SWING WIDTH	28 m
MIXTURE CAPACITY	1,000 m <sup>3</sup> /h

### DREDGE INSTALLATION

DREDGE PUMP TYPE	BP2525MD
DIAM. SUCTION/DISCHARGE PIPE	250/250 mm
CUTTER TYPE	5-950 (plain edge)
CUTTER POWER	30 kW

### ENGINE INSTALLATION

DREDGE PUMP MAIN DIESEL	Caterpillar C12 TA
CONTINUOUS POWER RATING	254 kW @ 1800 rpm
HYDRAULIC INSTALLATION	Driving cutter, swing ladder and spuds
ELECTRICAL INSTALLATION	24 V DC and 230/400 V AC, 17 kVA

### PRINCIPAL DIMENSIONS

LENGTH O.A. INCL. LADDER	31.90 m
LENGTH OVER PONTOON	11.50 m
BEAM	7.00 m
DRAUGHT	1.00 m
AIR DRAUGHT	1.50 m
TOTAL WEIGHT	58 ton

### TANK CAPACITIES

FUEL OIL APPROX	4.9 m <sup>3</sup>
BALLAST WATER (FORE AND AFT)	5.0 m <sup>3</sup> (4x)
HYDRAULIC OIL	1.0 m <sup>3</sup>

### DECK MACHINERY

LADDER SWING (2X)	Hydraulic cylinder, stroke 1,600 mm
LADDER HOISTING (1X)	Hydraulic cylinder, stroke 1,000 mm
LADDER ADJUSTMENT (2X)	Hydraulic cylinder, stroke 650 mm
CUTTER ADJUSTMENT (1X)	Hydraulic cylinder, stroke 500 mm
SPUD HOISTING (4X)	Hydraulic cylinder, stroke 1,250 mm
SPUD CARRIAGE (4X)	Hydraulic cylinder, stroke 2,000 mm
SPUD TILTING (4X)	Hydraulic cylinder, stroke 400 mm
DECK CRANE (1X)	700 kg @ 2,800 mm
RUBBERING GATE VALVE (1X)	Hydraulic

### DREDGING INSTRUMENTATION

- Dredging depth and swing indicator
- Vacuum and pressure indication of dredge pump
- Velocity measurement

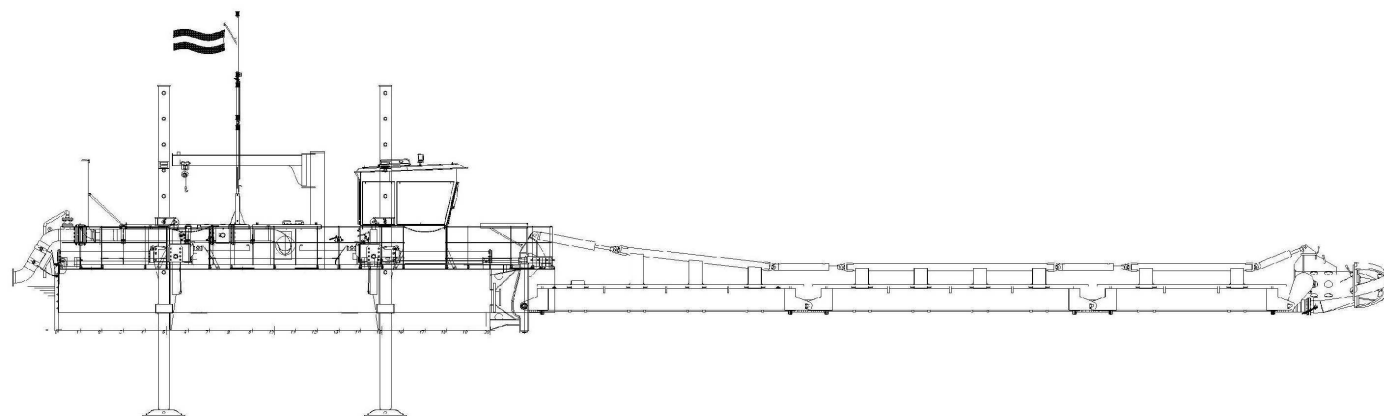
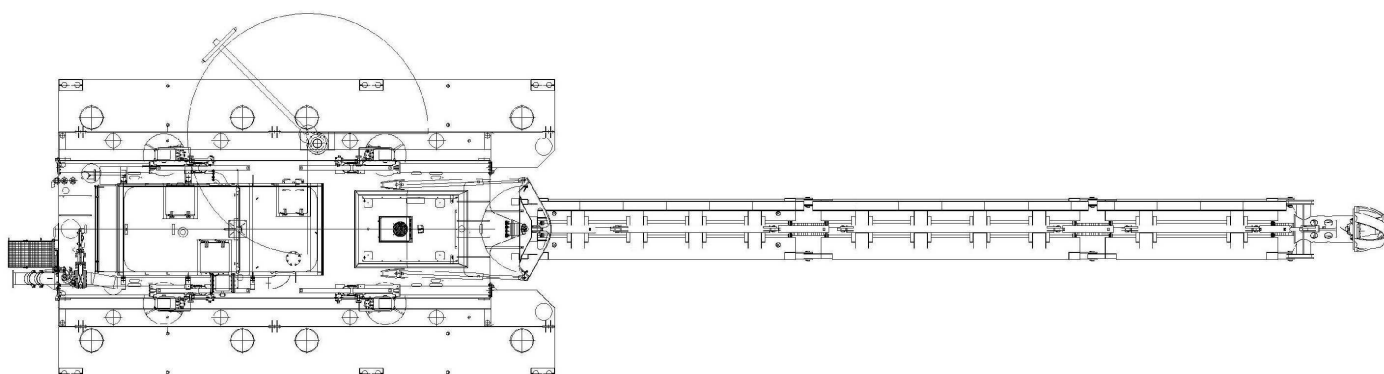
### REMARKABLE FEATURES

- Dismountable design
- Transportable by road
- Very small air draught
- Large swing width
- Autonomous movement on land
- Sound insulated
- Operators cabin with air conditioning

### OWNER

Verboon Maasland, The Netherlands

# DAMEN



# DAMEN WALKING CUTTER SUCTION DREDGER 250

"SUSANNA II"

**DAMEN**

DAMEN DREDGING EQUIPMENT

Member of the DAMEN SHIPYARDS GROUP 

Edisonstraat 32  
3861 NE Nijkerk

P.O. Box 1021  
3860 BA Nijkerk  
The Netherlands

phone +31 (0)33 247 40 40  
fax +31 (0)33 247 40 60

info@damendredging.com  
www.damendredging.com

© No part of the leaflet may be reproduced in any form, by print, photo print, microfilm, or any other means, without written permission from Damen Dredging Equipment