



DAMEN CUTTER SUCTION DREDGER 250

GENERAL

YARD NO.	B11.0198 / YN561214
TYPE	CSD250
DELIVERY DATE	November, 2011
BASIC FUNCTIONS	Maintenance dredging

DREDGING FEATURES

DREDGING DEPTH	-6 m
MIXTURE CAPACITY	1000 m ³ /h

DREDGE INSTALLATION

DREDGE PUMP TYPE	BP2320
DIAM. SUCTION/DISCHARGE PIPE	260/250 mm
CUTTER TYPE	5-950 (with changeable chisels)
CUTTER POWER	40 kW

ENGINE INSTALLATION

DREDGE PUMP MAIN DIESEL	Caterpillar C12 TA
CONTINUOUS POWER RATING	254 kW @ 1800 rpm
HYDRAULIC INSTALLATION	Driving cutter, winches cutterladder and spuds
ELECTRICAL INSTALLATION	24 Volt DC

PRINCIPAL DIMENSIONS

LENGTH O.A. INCL. LADDER	19.70 m
LENGTH OVER PONTOON	10.00 m
BREADTH	4.20 m
DRAUGHT	0.90 m
AIR DRAUGHT	3.60 m
TOTAL WEIGHT	30 ton

TANK CAPACITIES

FUEL OIL	6.0 m ³
BALLAST WATER (FORE AND AFT)	2x4.5 m ³ , 2x8.3 m ³
HYDRAULIC OIL	0.8 m ³

DECK MACHINERY

LADDER WINCH	Hydraulic cylinder, stroke 800 mm
SWING WINCHES (2X)	Hydraulic, 40 kN, 0-15 m/min
SPUDS	Ø 273 mm, length 9 m
SPUD POLES (2X)	Hydraulic cylinder, stroke 1000 mm

DREDGING INSTRUMENTATION

- Dredging depth indicator
- Vacuum and pressure indication of dredge pump

REMARKABLE FEATURES

- Dismountable design
- Heavy duty robust design
- Simultaneous operation of all functions possible
- Spacious ergonomic designed control cabin and engine room
- Transportable in three 40' Open Top containers

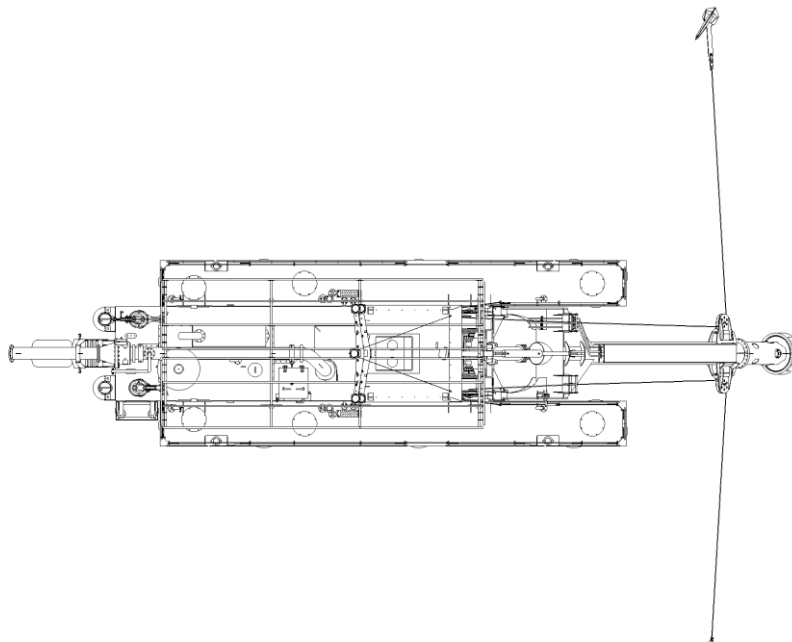
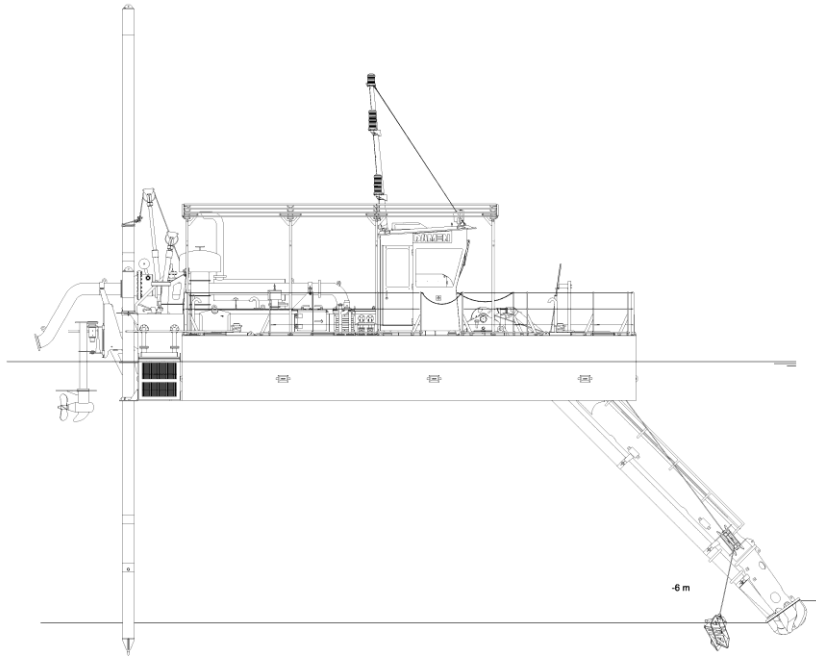
PROVIDED OPTIONS

- Sunroof
- Propulsion

OWNER

Central African Customer

DAMEN



DAMEN CUTTER SUCTION DREDGER 250

DAMEN

DAMEN DREDGING EQUIPMENT

Member of the DAMEN SHIPYARDS GROUP 

Edisonstraat 32
3861 NE Nijkerk

P.O. Box 1021
3860 BA Nijkerk
The Netherlands

phone +31 (0)33 247 40 40
fax +31 (0)33 247 40 60

info@damendredging.com
www.damendredging.com

© No part of the leaflet may be reproduced in any form, by print, photo print, microfilm, or any other means, without written permission from Damen Dredging Equipment