



DAMEN BOOSTER STATION 750

GENERAL

| | |
|-----------------|-----------------------------|
| Yard no. | B10.0522 / YN561901 |
| Type | BS 750 |
| Basic functions | Increasing discharge length |

DREDGE INSTALLATION

| | |
|-------------------------|-------------------------------------|
| Dredge pump | BP7570 MD |
| Impeller diameter | 1720 mm, 4 bladed and double curved |
| Diameter suction pipe | 750 mm |
| Diameter discharge pipe | 750mm |

ENGINE INSTALLATION

| | |
|----------------|--|
| Main engine | Caterpillar 3516 TA HD, Radiator and water cooled |
| Constant power | 1825 bkW at 1600 rpm |
| Gearbox | Kreiskott |

TRANSPORT DIMENSIONS

| | |
|---------------------------------------|---------|
| Length over all | 12.19 m |
| Width (excl. pump housing) | 2.60 m |
| Height (excl silencers, pump housing) | 2.87 m |
| Max transport weight | 55 ton |

DREDGING INSTRUMENTATION

- Electronic vacuum and discharge pressure measurement of dredge pump;
- Remote and local control

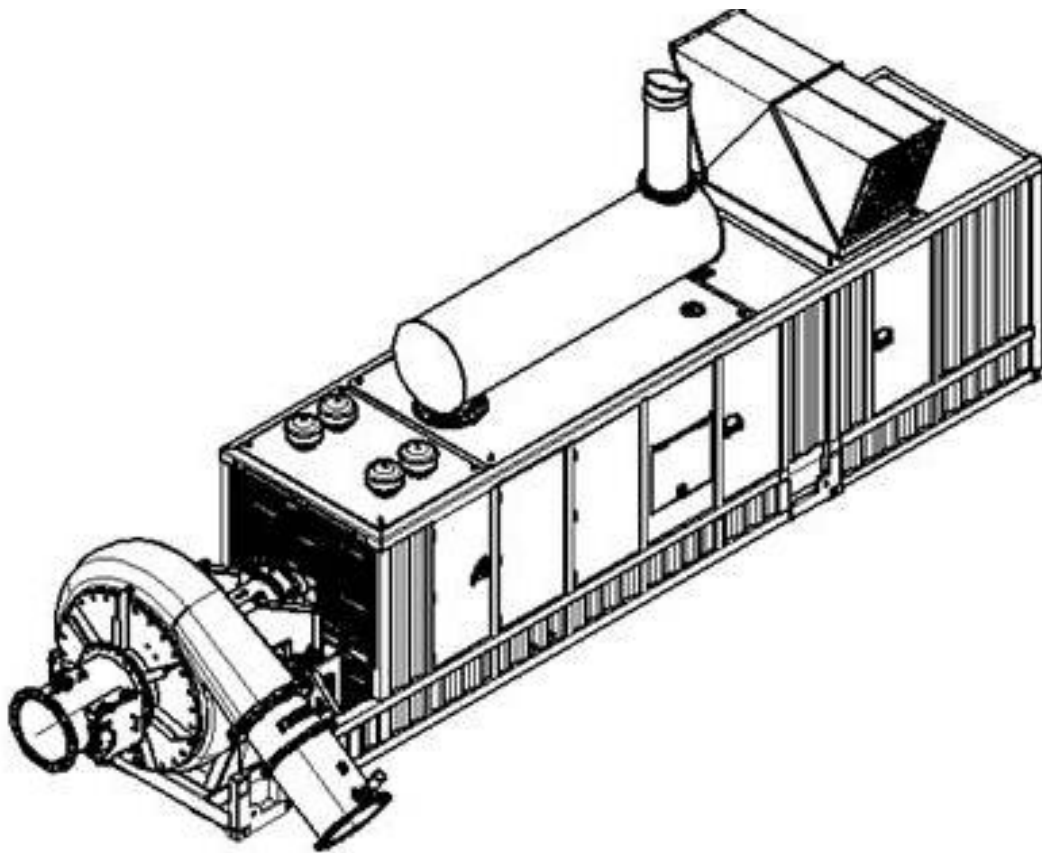
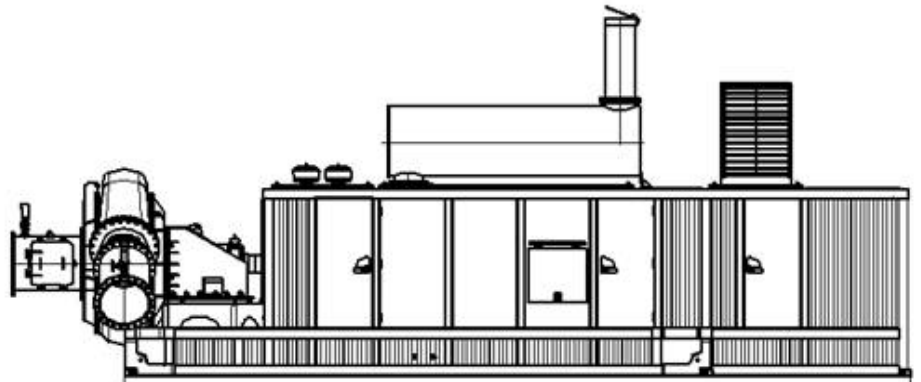
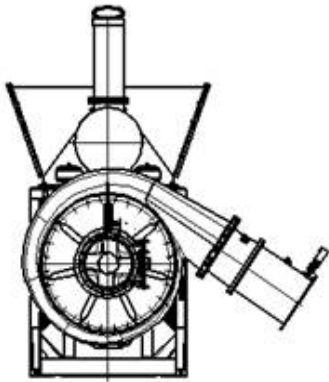
REMARKABLE FEATURES

- Dredgepump equipped with mechanical seal, thus no glandwater is;
- Pumpset build in a special 40' required (high cube) container, very fast (de)mobilization time, provided with large doors and hatches for service;
- Easy transportation;
- Diesel engine with constant power over large speed range;

OWNER

CCCC Guangzhou Dredging Company, China

DAMEN



DAMEN BOOSTER STATION 750

DAMEN

DAMEN DREDGING EQUIPMENT

Member of the DAMEN SHIPYARDS GROUP



Edisonstraat 32
3861 NE Nijkerk

P.O. Box 1021
3860 BA Nijkerk
The Netherlands

phone +31 (0)33 247 40 40
fax +31 (0)33 247 40 60

info@damendredging.com
www.damendredging.com