



UTILITY VESSEL 2510

BASIC VERSION

GENERAL

Basic functions	Fish farm support, Buoy Laying, Maintenance support, Dive and ROV
Classification	Lloyd's register or equivalent ✱100A1 [✱] LMC, UMS

DIMENSIONS

Length overall	25.7 m
Beam moulded	10.0 m
Depth moulded	3.5 m
Draught design	2.6 m
Deadweight	150 t
Work deck area	120 m ²
Deck load (1m above deck)	90 t

TANK CAPACITIES

Fuel oil	30 m ³
Fresh water	15 m ³
Sewage	5.5 m ³
Bilge water	2 m ³
Ballast water	TBD m ³
Cargo hold	80 m ³

PERFORMANCES (APPROX.)

Speed (at design draught)	9.5 kn
Bollard pull	13.4 ton

PROPULSION SYSTEM

Main engines	2x Volvo D13 MH
Total propulsion power	736 kW (1000 bhp) @ 1800 rpm
Gearboxes	2x Reverse reduction, ratio 4.5:1
Propellers	2x 1350 mm FPP in nozzle
Bow thruster	1x 100 kW, FPP, electric
Rudders	2x Fishtail rudders, interconnected

AUXILIARY EQUIPMENT

Networks	230/440 V @ 60 Hz, 230 V @ 50 Hz
Generator sets	2x Volvo D9 MG. 312 kVA
Cooling system	Fresh water through box cooling
Hydraulic system	Deck equipment is driven by HPU

DECK LAY-OUT

Anchors	1x High holding power
Anchor mooring system	1x with 165 anchor rope, electric
Deck crane aft	1x Foldable knuckle boom 0.93 ton @ 15.01 m fitted
Stern Roller	500 mm diameter

ACCOMMODATION

A ventilated and heated accommodation for 6 persons is fitted. The accommodation includes 4 cabins, a wheelhouse, galley, mess room, deck office and a drying locker. The large wheelhouse offers a seating area, chart table and navigation consoles.

NAUTICAL AND COMMUNICATION EQUIPMENT

External communication	2x VHF, SSB, Navtex, AIS
Internal communication	Intercom
Nautical systems	X-band radar, ECS, DGPS, echo-sounder

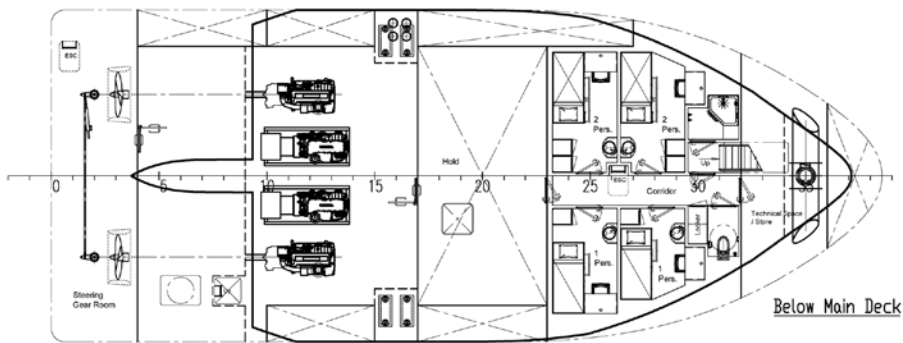
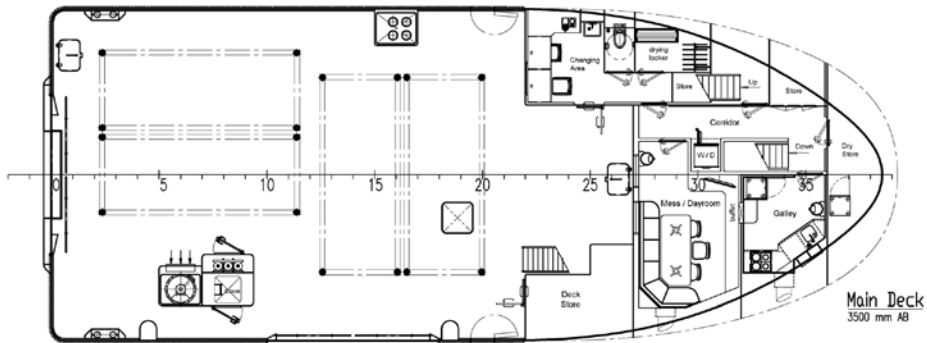
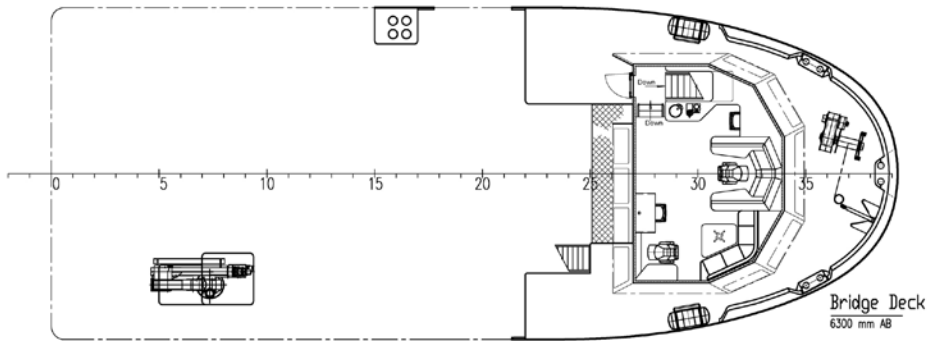
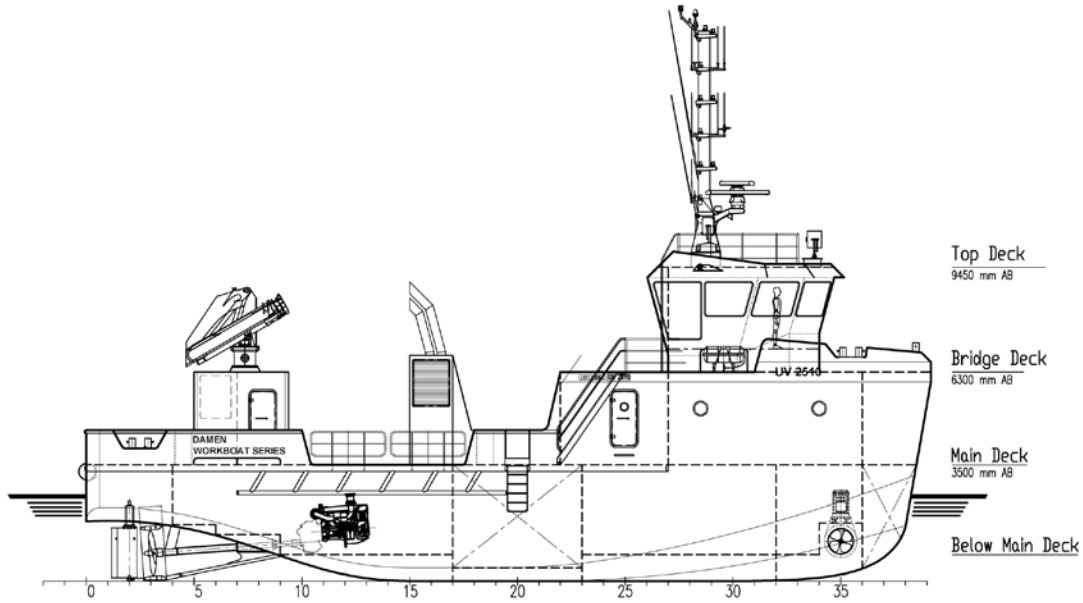
OPTIONAL EQUIPMENT

Deck crane	Alternative cranes are possible
Towing winch	15 ton @ 15 m/min pull and 45 ton brake on first layer. Drum capacity 500 m x 32 mm diameter.
Towing Pins	SWL 25 ton
Workboat	Available upon request
A-Frame	Available upon request
Position package	DP-0 or DP-1

All data presented is preliminary and is subject to change without prior notice. Artist impression and general arrangement plan show the basic version without optional equipment. Options may impact performances. Other options are available upon request.

UTILITY VESSEL 2510

BASIC VERSION



DAMEN SHIPYARDS GROUP

Avelingen-West 20
4202 MS Gorinchem
The Netherlands

P.O. Box 1
4200 AA Gorinchem
The Netherlands

phone +31 (0)183 63 99 22
fax +31 (0)183 63 21 89

info@damen.com
www.damen.com

© No part of the leaflet may be reproduced in any form, by print, photo print, microfilm, or any other means, without written permission from Damen Shipyards Group