

DAMEN MULTI CAT[®] 1908

"YN 518523-24"

GENERAL

YARD NUMBER	518523-24
BASIC FUNCTIONS	Towing, buoy handling and general port maintenance, ∅ anchor handling
CLASSIFICATION	Bureau Veritas I ✱ HULL • MACH Special Service/ Workboat Coastal Area
PAINTING	Epoxy paint system

DIMENSIONS

LENGTH O.A.	18.91 m
BEAM O.A.	8.06 m
DEPTH AT SIDES	2.75 m
DRAUGHT AFT	2.10 m
SCANTLINGS	hull plating 10 mm sheerstrake 30 mm deck plating 10 mm

TANK CAPACITIES

FUEL OIL	7.5 m ³
WATER BALLAST	21.9 m ³
DIRTY OIL	0.9 m ³
SEWAGE	0.9 m ³
LUBRICATION OIL	0.8 m ³
FRESH WATER	1.1 m ³
BILGE WATER	0.8 m ³
∅ FUEL OIL CARGO	46.6 m ³
∅ FRESH WATER CARGO	14.8 m ³

PERFORMANCES

BOLLARD PULL AHEAD	13.7 ton
SPEED	9.2 knots

PROPULSION SYSTEM

MAIN ENGINES	2x Caterpillar C18 TA/B
TOTAL POWER	894 bkW (1200 bhp) at 1800 rpm
GEARBOXES	2x Reintjes WAF 264L, 4.5:1
PROPELLERS	2x Kaplan II fixed pitch propellers
NOZZLES	2x 1350 mm Van de Giessen "Optima" with st.st. innerring
STEERING GEAR	Powered hydraulic 2x 45° with rudder indicator

AUXILIARY EQUIPMENT

GENERATOR SET	Caterpillar C2.2T, 28 kVA, 230/400 V, 50 Hz
∅ HYDRAULIC SYSTEM	Main engine driven hydraulic pump
ALARM SYSTEM	Engines, gearboxes + bilge alarm
BILGE PUMP/GS PUMP	2x Sterling VWSI 5013, 24 m ³ /hr at 10 m.w.g., 1x main engine driven, 1x electrically driven
FRESHWATER SYSTEM	Electrical pressure set and sewage pump
∅ F.W. TRANSFER PUMP	Sterling AKHK 5101, 20 m ³ /hr at 14 m.w.g.
∅ F.O. TRANSFER PUMP	Sterling AKHK 5101, 20 m ³ /hr at 14 m.w.g.

DECK LAY-OUT

ANCHOR WITH CHAIN	Pool HHP type, 1x 105 kg and 1x 48 kg
∅ DECK CRANE	Hydraulic Heila HLRM 65-2S
	Lifting capacity 7.15 ton at 8.44 m
	∅ Hydraulic winch, 5 ton hoisting capacity
	Mampaey SWL 150 kN
	Diameter 900 mm, width 2500 mm, SWL 30 ton
	Kraaijeveld, 15 ton at 5 m/min
	20 ton SWL / 14 ton at 16 m/min
	8 meter with ∅ depth sensor
	5 Ton 15 m/min.
	For easy buoy handling
∅ TOWING HOOK	
BOW ROLLER	
∅ ANCHOR HANDLING WINCH	
∅ A FRAME / HYDRAULIC WINCH	
∅ PLOUGH	
∅ CAPSTAN	
∅ CHAIN CLAMP	

ACCOMMODATION

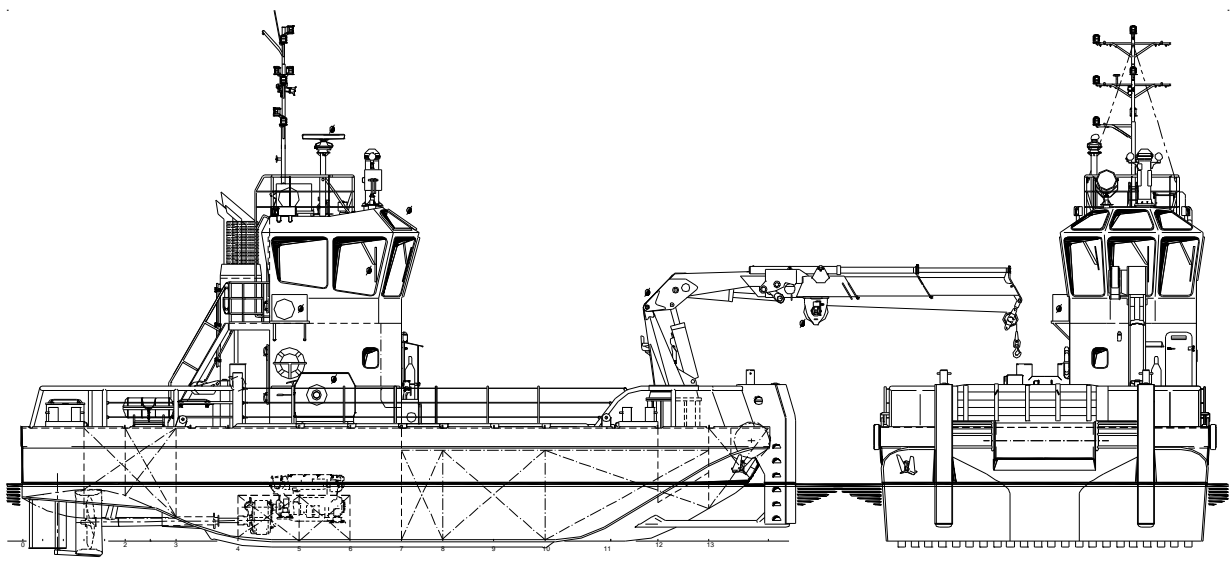
Wheelhouse, ∅ day-room / ∅ pantry and sanitary space. Below main deck at starboard a workshop/store. Port side ∅ crew cabin with ∅ air-conditioning.

NAUTICAL AND COMMUNICATION EQUIPMENT

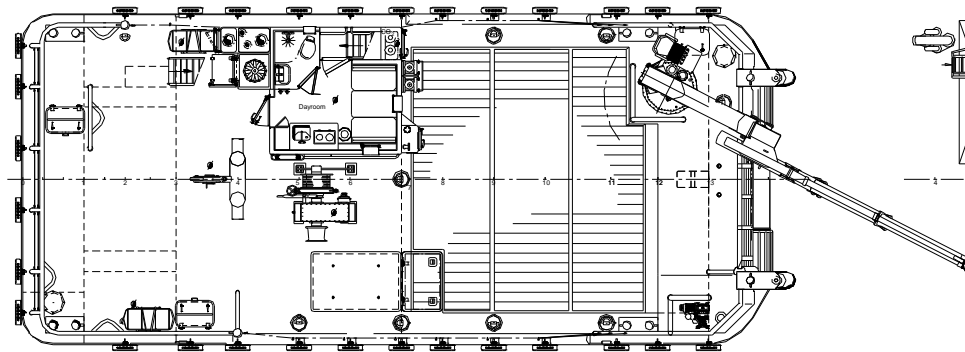
SEARCHLIGHT	Pesch 500 W
∅ RADAR SYSTEM	Furuno 8062
COMPASS	Magnetic Kotter type
∅ GPS	Furuno GP-32
∅ ECHO SOUNDER	Furuno LS-6100
VHF	Sailor 6248 or ∅ 2x Sailor 6222
∅ HAND HELD VHF	2x Jotron Tr-20
∅ AUTOPILOT	Simrad AP50
∅ INTERCOM	6 stations
∅ SSB	Furuno FS-1570
∅ NAVTEX	Furuno NX-700
∅ EPIRB	Jotron, Tron-40S, MKII
∅ SART	Jotron, Tron Sart

HULL ON STOCK

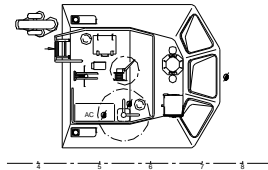
* PHOTOGRAPH SHOWS SIMILAR VESSEL / ∅ = OPTIONAL EQUIPMENT



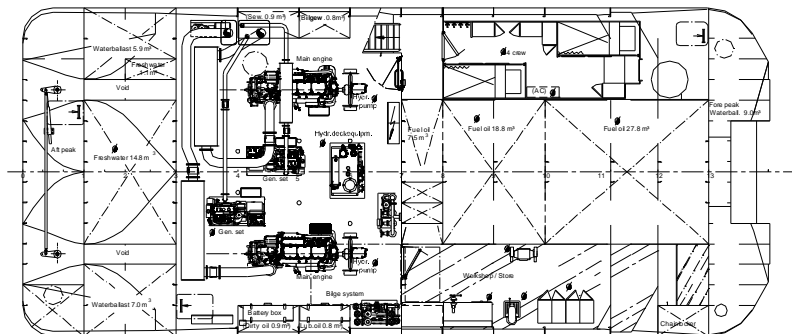
Maindeck



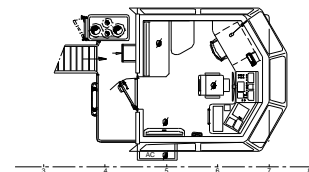
Topdeck



Below Maindeck



Bridgedeck



DAMEN MULTI CAT[®] 1908

"YN 518523-24"

DAMEN

DAMEN SHIPYARDS GORINCHEM

Member of the DAMEN SHIPYARDS GROUP



Industrieterrein Avelingen West 20
4202 MS Gorinchem

P.O. Box 1
4200 AA Gorinchem
The Netherlands

phone +31 (0)183 63 99 11
fax +31 (0)183 63 21 89

info@damen.com
www.damen.com