



DAMEN MODULAR JETTY 7505

"YN 523031"

GENERAL

Yard number
Basic functions

523031
The Damen Modular Jetty is a modern jetty to which Damen vessels can berthed safely, built in steel to standard design.

Description

The entire hull of the Jetty consists of container sized units. These container sized units are called Damen Modular Barges and can be coupled together in the water with a specially designed coupling system, called the Damen Link. Because of this modular system, the entire Jetty can be transported by ship, truck or train to her final place of destination and assembled locally. The jetty is kept in position with spuds.

DIMENSIONS

Length o.a.	82.30	m
Length pontoon	78.30	m
Beam o.a.	5.80	m
Beam pontoon	4.90	m
Depth at sides	1.80	m
Draught	0.40	m
Max. deck load	6.8	t/m ²

ELECTRICAL SYSTEM

Light pole	3x
Distribution board	3x

DECK LAY-OUT

Spud	4x
Spud dimension	Ø 1200 mm x 30 m
Spud bracket	3x
Bollard (double)	12x

GANGWAY

Length	12.65	m
Width (between railing)	1.50	m
Max. load	500	kg/m ²

LIVE SAVING EQUIPMENT

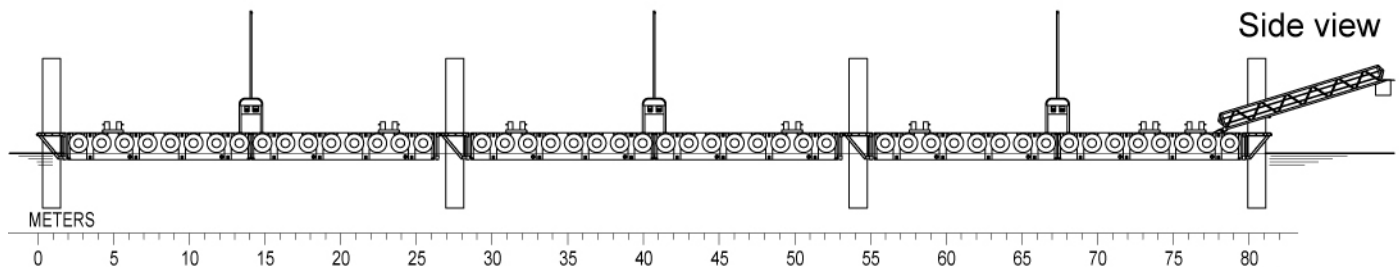
Life buoy	3x
First-aid kit	2x
Fire extinguisher	3x

ACCOMMODATION

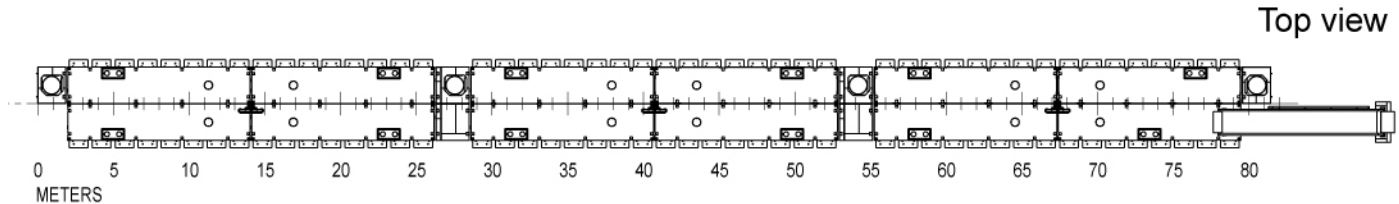
Sleeping container 20ft	1x
Office container 20ft	1x
Workshop container 20ft	1x

FEATURES

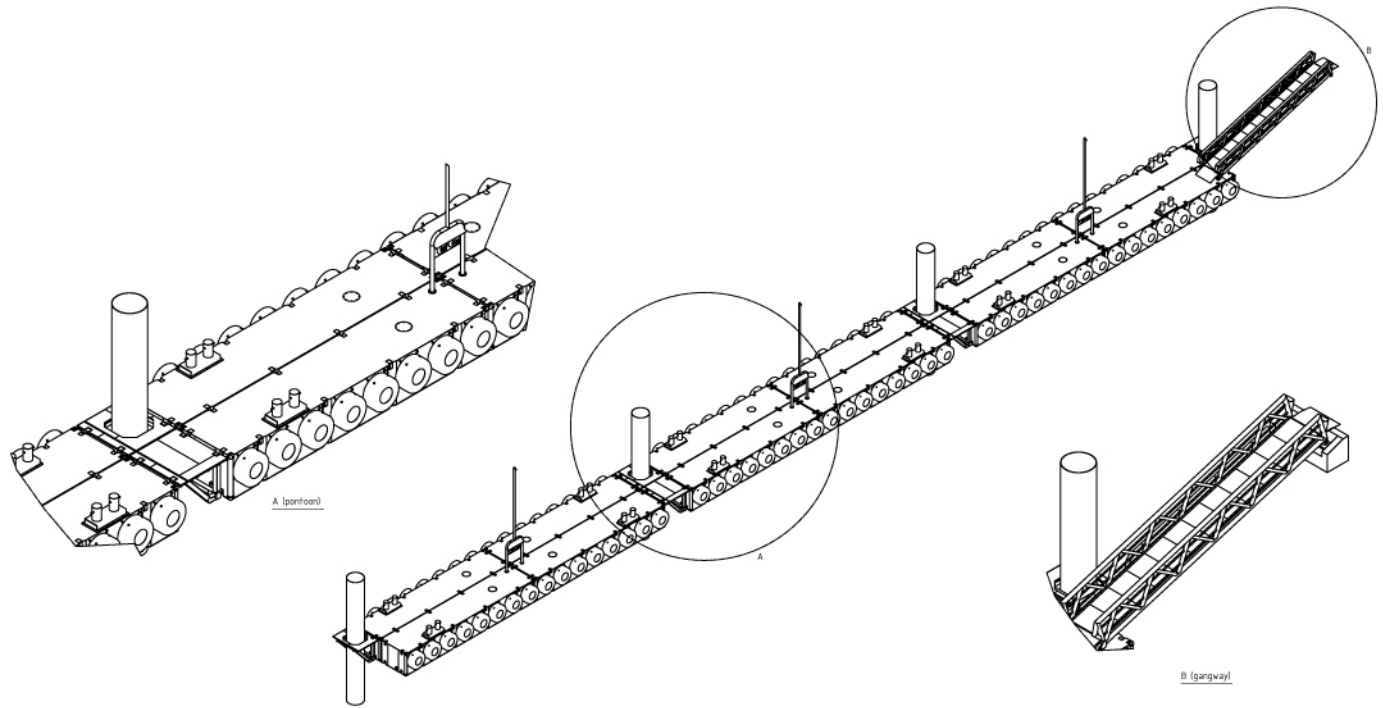
Tyre fendering



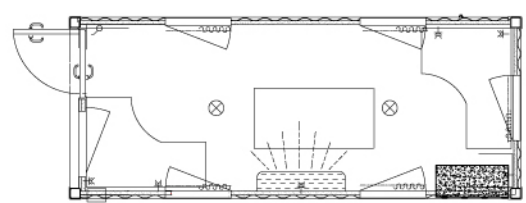
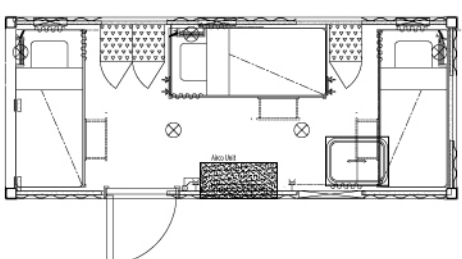
Side view



Top view



Lay-out accommodation containers



DAMEN MODULAR JETTY 7505

"YN 523031"



DAMEN SHIPYARDS GORINCHEM

Member of the DAMEN SHIPYARDS GROUP 

Industrieterrein Avelingen West 20
4202 MS Gorinchem

P.O. Box 1
4200 AA Gorinchem
The Netherlands

phone +31 (0)183 63 99 11
fax +31 (0)183 63 21 89

info@damen.com
www.damen.com

DSGo-C&MC-2016-09-08

© No part of the leaflet may be reproduced in any form, by print, photo print, microfilm, or any other means, without the written permission from Damen Shipyards Gorinchem.