



DAMEN MUSSEL DREDGER 2610

LOTTIE HOLLY

GENERAL

Yard number	611
Delivery date	September 2013
Basic functions	Mussel dredger
Classification	* 100 A1 Fishing Vessel MHC
Flag	United Kingdom
Owner	Myti Mussels Ltd.

DIMENSIONS

Length o.a.	26.92 m
Length registered	23.95 m
Length b.p.p.	24.24 m
Beam mld.	10.00 m
Depth mld.	2.65 m
Draught unloaded (base)	1.00 m

TANK CAPACITIES

Fuel oil	18 m ³
Fresh water	3 m ³
Ballast water	10 m ³
Sewage	0.4 m ³

HOLD CAPACITIES

Mussel holds	127 m ³
--------------	--------------------

PERFORMANCES (APPROX.)

Speed	8 kn
-------	------

PROPULSION SYSTEM

Main engines	2x Caterpillar C18TA diesel engines
Propulsion power	2x 335 kW
Gearboxes	2x Reintjes WAF-244L
Propellers	2x 5 bladed Van Voorden FPP
Controls/steering	2x Main engine driven pump, hydraulic
Nozzles	2x Van de Giessen Wing Nozzles
Bow thruster	1x 110 kW

AUXILIARY EQUIPMENT

Main generator set	1x Caterpillar C 18TA
Capacity	515 kVA
Emerg. generator set	1x Caterpillar C 2.2
Capacity	30 kVA

DECK LAY-OUT

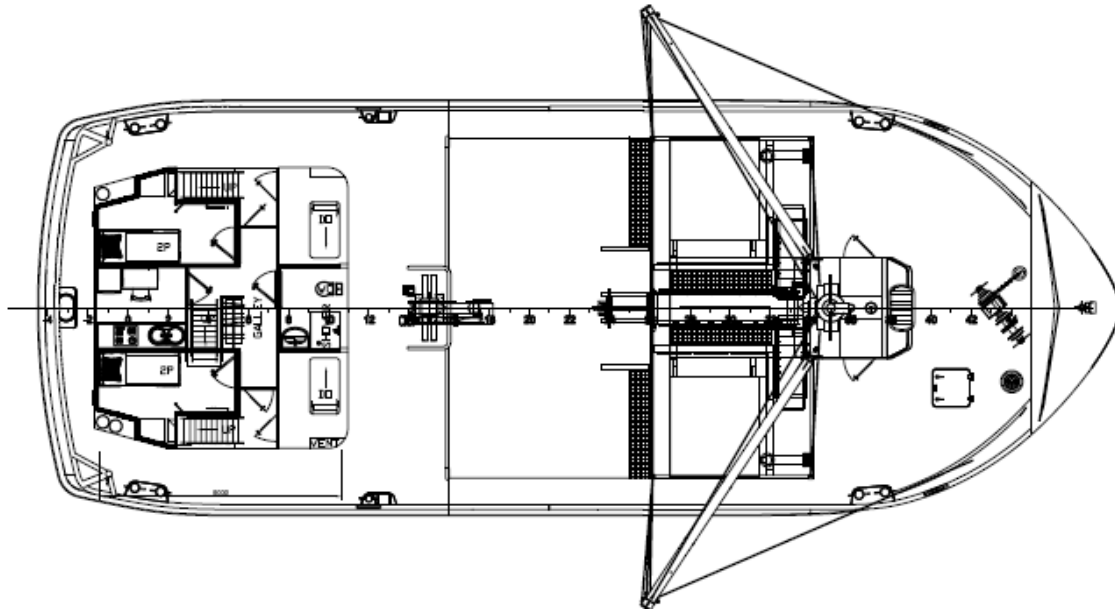
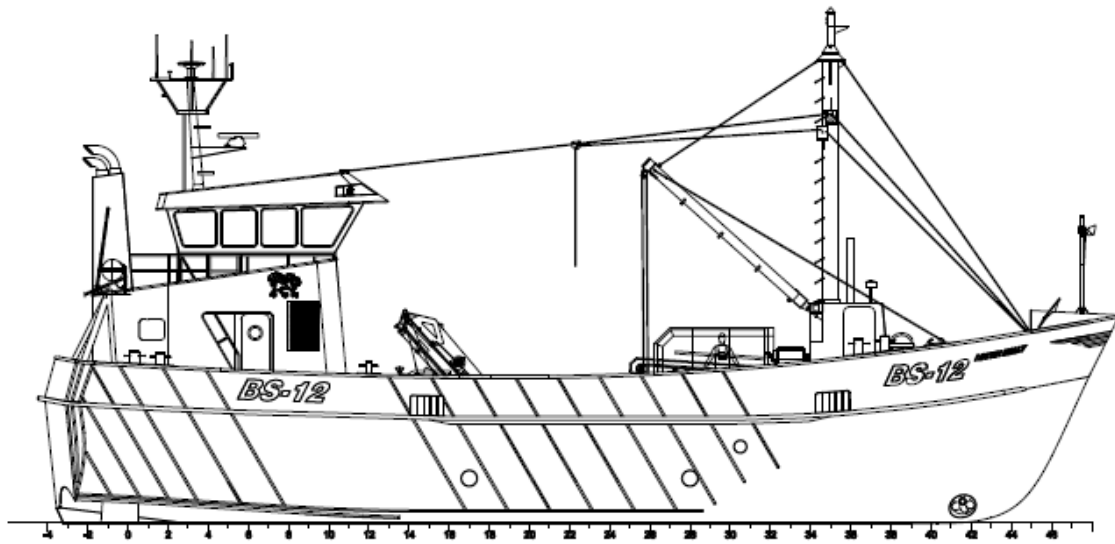
Anchor	Two HHP Pool type anchors 430kgs
Anchor winch	Maaskant
Deck crane	Double D - 1600kg@9meters
Fishing winch	8-drum M120MP2x2, 130 kW

ACCOMMODATION

Designed with night accommodation of two cabins for two persons each, a sanitary space with shower and toilet, a galley with combined oven/cooker and combined fridge/freezer.

NAUTICAL AND COMMUNICATION EQUIPMENT

Radar systems	1x Furuno Radar
Compass	1x Furuno SC-50 Satellite Compass
GPS	1x Furuno GP-150-GPS
Echo sounders	1x Furuno FCV-1200L
VHF/DSC	1x Furuno FM-8800S, 2x Icom IC-M423F
SSB/DSC/AIS	1x Koden KAT-100 AIS
Navtex	1x Furuno NX-700



DAMEN MUSSEL DREDGER 2610

LOTTIE HOLLY

DAMEN

DAMEN SHIPYARDS GORINCHEM



Member of the DAMEN SHIPYARDS GROUP

Industrieterrein Avelingen West 20
4202 MS Gorinchem

P.O. Box 1
4200 AA Gorinchem
The Netherlands

phone +31 (0)183 63 99 11
fax +31 (0)183 63 21 89

info@damen.com
www.damen.com