



DAMEN CUTTER SUCTION DREDGER 500

“POSEIDON”

GENERAL

YARD NO.	B10.0252
TYPE	CSD500
DELIVERY DATE	May, 2010
BASIC FUNCTIONS	Mining and maintenance dredging

DREDGING FEATURES

DREDGING DEPTH	-14 m
----------------	-------

DREDGE INSTALLATION

DREDGE PUMP TYPE	BP5045
DIAM. SUCTION/DISCHARGE PIPE	550/500 mm
CUTTER TYPE	5-1625 (with changeable chisels)
CUTTER POWER	180 kW

ENGINE INSTALLATION

DREDGE PUMP DIESEL	Caterpillar 3512B
CONTINUOUS POWER RATING	954 kW @ 1600 rpm
AUXILIARY DIESEL	Caterpillar 3406-DITA JWAC
PRIME POWER RATING	345 kW @ 1800 rpm
HYDRAULIC INSTALLATION	driving cutter, winches and spuds
ELECTRICAL INSTALLATION	24 Volt DC and 230/400 Volt AC, 34 kVA

PRINCIPAL DIMENSIONS

LENGTH O.A. INCL. LADDER	39 m
LENGTH OVER PONTOONS	25.50 m
BREADTH	7.95 m
DEPT	1 m
DRAUGHT	6.4 m
TOTAL WEIGHT	140 ton

TANK CAPACITIES

FUEL OIL APPROX.	2x11 m ³
BALLAST WATER (FORE AND AFT)	2x8 m ³
HYDRAULIC OIL	2 m ³

DECK MACHINERY

LADDER WINCH	hydraulic, 120 kN, 0-15 m/min
SWING WINCHES (2X)	hydraulic, 120 kN, 0-15 m/min
SPUDS (2X)	Ø 610 mm, length 19 m
SPUD HOISTING (2X)	hydraulic cylinder, stroke 1500 mm

INSTRUMENTS

Dredging depth indicator
Vacuum and pressure indication of dredge pump

REMARKABLE FEATURES

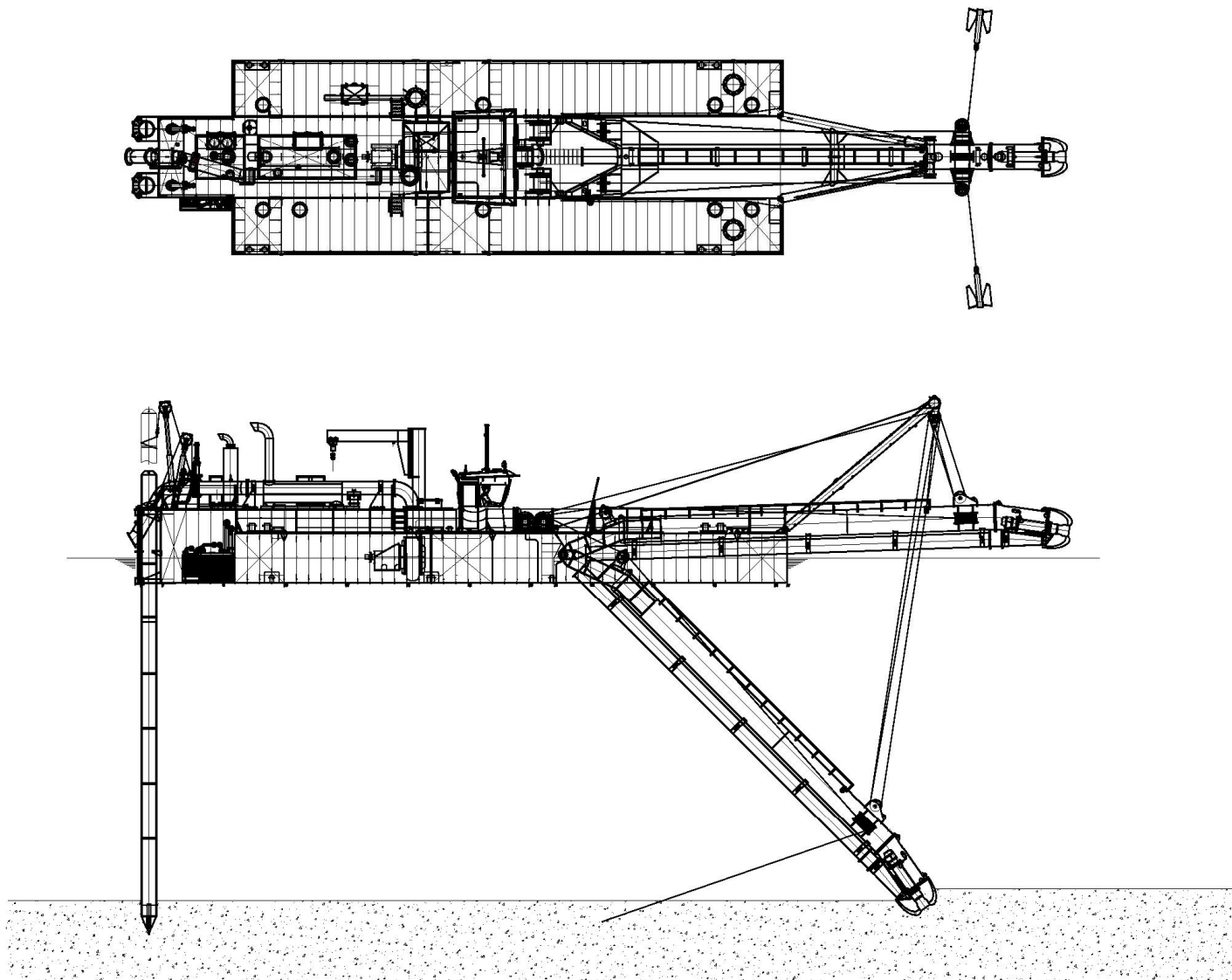
- Dismountable design
- Heavy duty robust design
- Scantlings well in excess of class regulations
- Spacious ergonomic designed control cabin and engine room
- Simultaneous operation of all functions possible
- 230/400 Volt AC installation
- Operators cabin with air conditioning

PROVIDED OPTIONS

- Stern swivel
- Jib crane
- Rubber ring gate valve
- Discharge nozzle

OWNER

Poseidon Shipping Limited, Belize



DAMEN CUTTER SUCTION DREDGER 500 "POSEIDON"

DAMEN

DAMEN DREDGING EQUIPMENT

Member of the DAMEN SHIPYARDS GROUP



Edisonstraat 32
3861 NE Nijkerk

P.O. Box 1021
3860 BA Nijkerk
The Netherlands

phone +31 (0)33 247 40 40
fax +31 (0)33 247 40 60

info@damendredging.com
www.damendredging.com