



## DAMEN CUTTER SUCTION DREDGER 500

### GENERAL

YARD NO.	B10.0623 / YN561530
TYPE	CSD500
DELIVERY DATE	April, 2011
BASIC FUNCTIONS	Capital mining and maintenance dredging

### DREDGING FEATURES

DREDGING DEPTH	-14 m
MIXTURE CAPACITY	4000 m <sup>3</sup> /h

### DREDGE INSTALLATION

DREDGE PUMP TYPE	BP5045
DIAM. SUCTION/DISCHARGE PIPE	550/500 mm
CUTTER TYPE	5-1625 (with changeable chisels)
CUTTER POWER	180 kW

### ENGINE INSTALLATION

DREDGE PUMP DIESEL	Caterpillar 3512B
CONTINUOUS POWER RATING	954 kW @ 1600 rpm
AUXILIARY DIESEL	Caterpillar 3406-DITA JWAC
PRIME POWER RATING	345 kW @ 1800 rpm
HYDRAULIC INSTALLATION	Driving cutter, winches and spuds
ELECTRICAL INSTALLATION	24 Volt DC and 230/400 Volt AC, 34 kVA

### PRINCIPAL DIMENSIONS

LENTH O.A. INCL. LADDER	50.00 m
LENGTH OVER PONTOONS	36.50 m
BEAM	7.95 m
DRAUGHT	1.30 m
AIR DRAUGHT	6.70 m
TOTAL WEIGHT	178 ton

### TANK CAPACITIES

FUEL OIL APPROX.	22.0 m <sup>3</sup>
HYDRAULIC OIL	2.50 m <sup>3</sup>
BALLAST WATER (FORE AND AFT)	4x8.7 m <sup>3</sup>

### DECK MACHINERY

LADDER WINCH	Hydraulic, 120 kN, 0-15 m/min
SWING WINCHES (2X)	Hydraulic, 120 kN, 0-15 m/min
SPUDS (2X)	Ø 610 mm, length 19 m
SPUD HOISTING (2X)	Hydraulic cylinder, stroke 1500 mm

### DREDGING INSTRUMENTATION

- Dredging depth indicator
- Vacuum and pressure indication of dredge pump

### REMARKABLE FEATURES

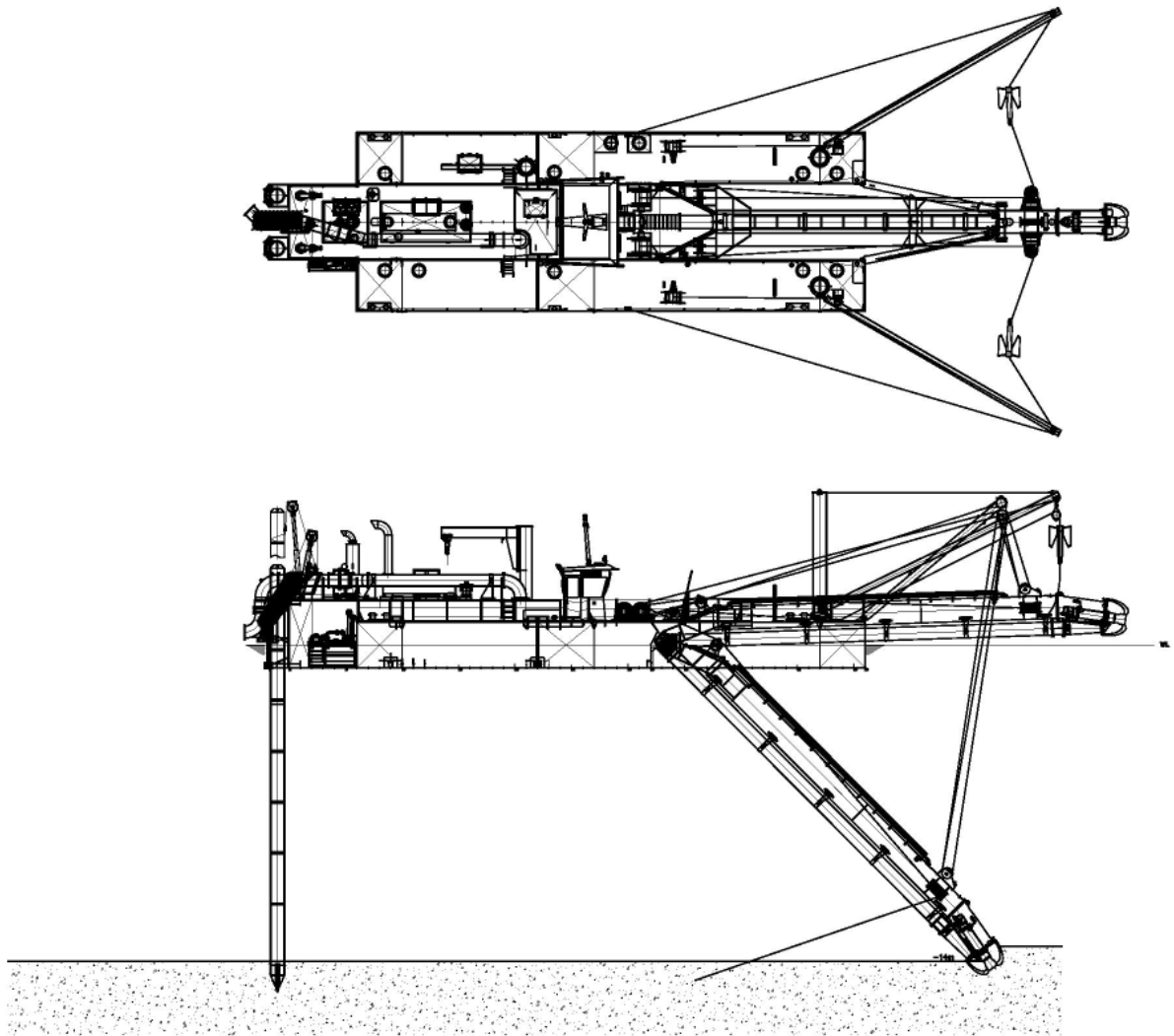
- Dismountable design
- Heavy duty robust design
- Scantlings well in excess of class regulations
- Spacious ergonomic designed control cabin and engine room
- Simultaneous operation of all functions possible
- Operators cabin with air conditioning

### PROVIDED OPTIONS

- Anchor boom installation
- Jib crane
- Non-return valve

### OWNER

Ministry of Water Resources, Iraq



## DAMEN CUTTER SUCTION DREDGER 500

**DAMEN**

DAMEN DREDGING EQUIPMENT

Member of the DAMEN SHIPYARDS GROUP



Edisonstraat 32  
3861 NE Nijkerk

P.O. Box 1021  
3860 BA Nijkerk  
The Netherlands

phone +31 (0)33 247 40 40  
fax +31 (0)33 247 40 60

info@damendredging.com  
www.damendredging.com