



BOOSTER STATION 450

STANDARD

GENERAL

A containerized direct diesel driven dredge pump, radiator cooled for increasing the discharge distance.

DREDGING INSTALLATION

Dredge pump	Damen BP45-1100
Impeller diameter	1100 mm, 4 double curved vanes
Diameter suction pipe	450 mm
Diameter discharge pipe	450 mm

ENGINE INSTALLATION

Dredge pump diesel	CAT C32
Max power rating	709 kW @ 1,600 rpm
Regulation	EU stage IIIA

TRANSPORT DIMENSIONS

Overall length	9.13 m
Overall width	2.44 m
Overall height	2.90 m
Total weight	24.0 ton

INSTRUMENTATION

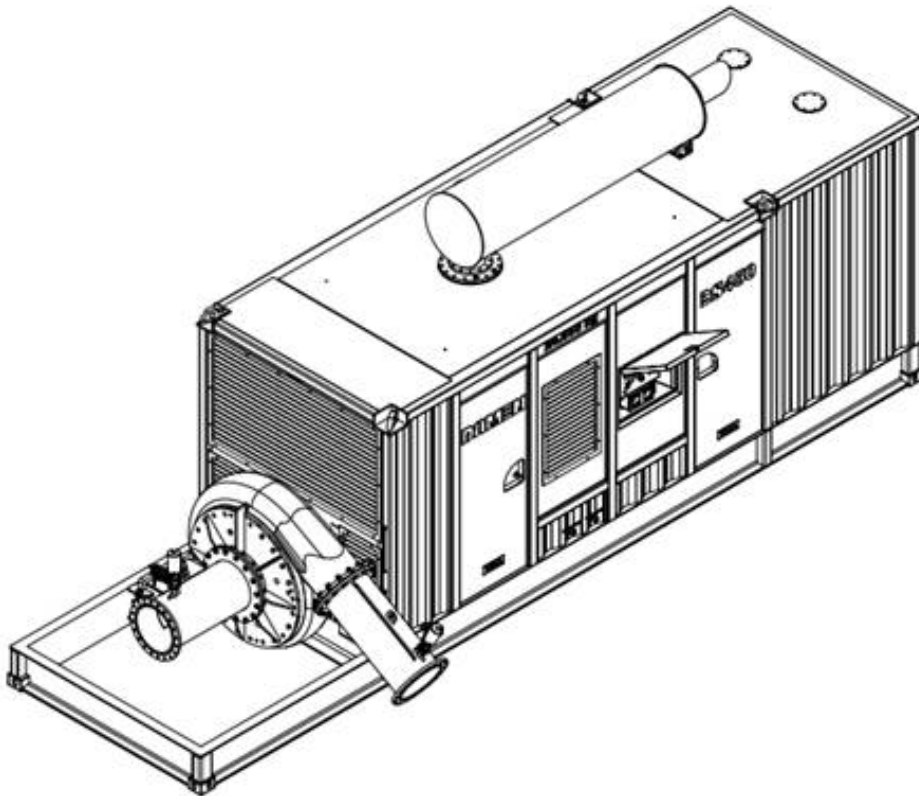
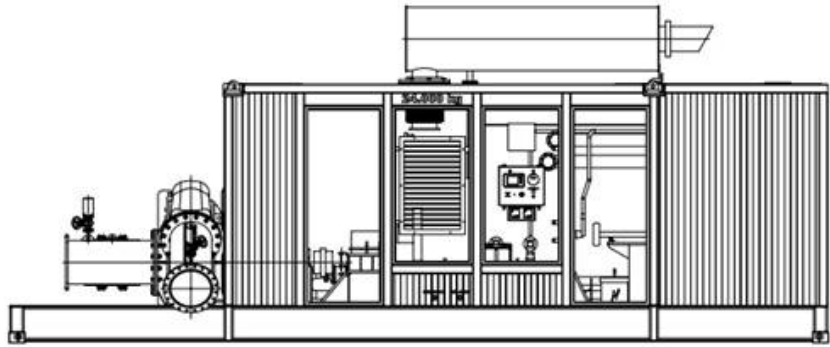
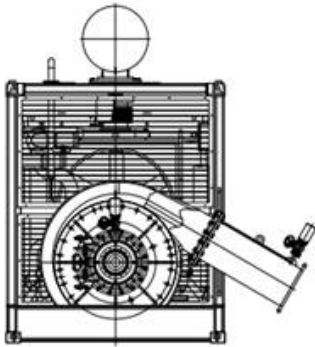
Electronic vacuum and discharge pressure measurement of dredge pump
Optional: remote control

REMARKABLE FEATURES

Dredge pump equipped with mechanical seal, thus no grease or glandwater is necessary;
Build in a special container, rapid (de)mobilisation, provided with large doors and hatches for service;
Easy transportation;
Similar pump set as mounted on the Damen CSD450, thus limiting spares and making exchange of equipment possible.
Optional higher tier engine or electric drive

BOOSTER STATION 450

STANDARD



DAMEN

DAMEN SHIPYARDS GROUP

Avelingen-West 20
4202 MS Gorinchem
The Netherlands

P.O. Box 1
4200 AA Gorinchem
The Netherlands

phone +31 (0)183 63 99 22
fax +31 (0)183 63 21 89

info@damen.com
www.damen.com

© No part of the leaflet may be reproduced in any form, by print, photo print, microfilm, or any other means, without written permission from Damen Shipyards Group