



## DAMEN FIRE FIGHTING VESSEL 2406

### "BREMEN I"

#### GENERAL

YARD NUMBER	571649
DELIVERY DATE	2011
BASIC FUNCTIONS	Firefighting / Police patrol vessel
CLASS	Hull BV, ZSUK – zone 2
FLAG	Germany
OWNER	Der Freien Hansestadt Bremen

#### DIMENSIONS

LENGTH O.A.	23.9	m
BEAM MLD.	6.0	m
DEPTH AT SIDES	1.5	m
DRAUGHT AFT (APPROX.)	1.2	m
DISPLACEMENT	65	ton (approx)

#### TANK CAPACITIES

FUEL OIL	2 x 2	m <sup>3</sup>
FRESH WATER	0.5	m <sup>3</sup>
FOAM	2 x 2.5	m <sup>3</sup>
SEWAGE	0.6	m <sup>3</sup>

#### PERFORMANCES

SPEED (FULL LOAD TRIALS)	32	km/hr
SPEED (MAX)	40	km/hr

#### PROPULSION SYSTEM

MAIN ENGINES	2x Cat C12, 1 x Cat C18
TOTAL POWER	2 x 425 kW @ 2200 rpm 1 x 651 kW @ 2200 rpm
WATERJETS	2 x Ultrajet 410 1 x Ultrajet 451
CONTROLS/STEERING	Ultrajet
BOWTHRUSTER	Beta 45 kW / 380V

#### AUXILIARY EQUIPMENT

MAIN GENERATOR SET	2 x Cat C04.4 TA
CAPACITY	2 x 69 KW / 86.25 kVA @ 1500 rpm
FIRE FIGHTING PUMPS	1 center engine driven 720 m <sup>3</sup> /hr fifi pump 1 electrically driven 60 m <sup>3</sup> /hr fifi pump
FOAM SYSTEM	1 % or 3 % mixing percentage

#### DECK LAY-OUT

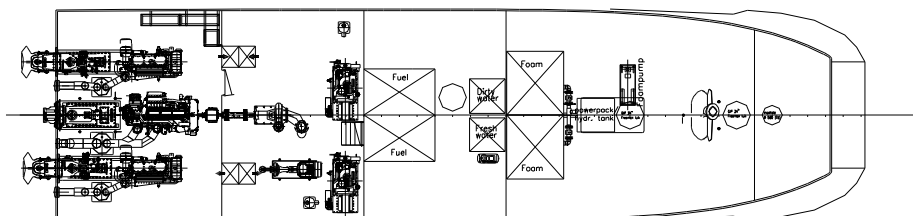
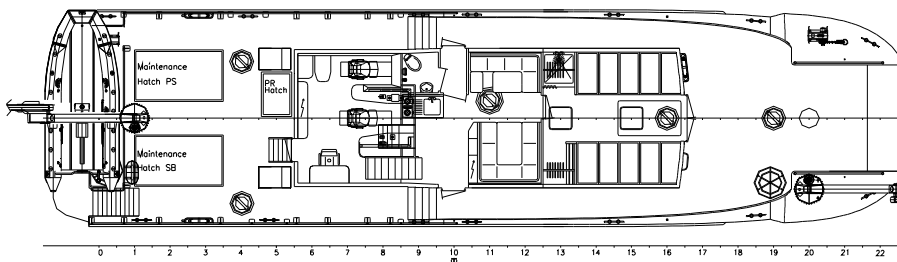
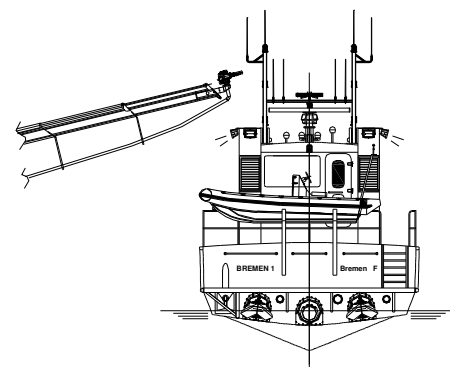
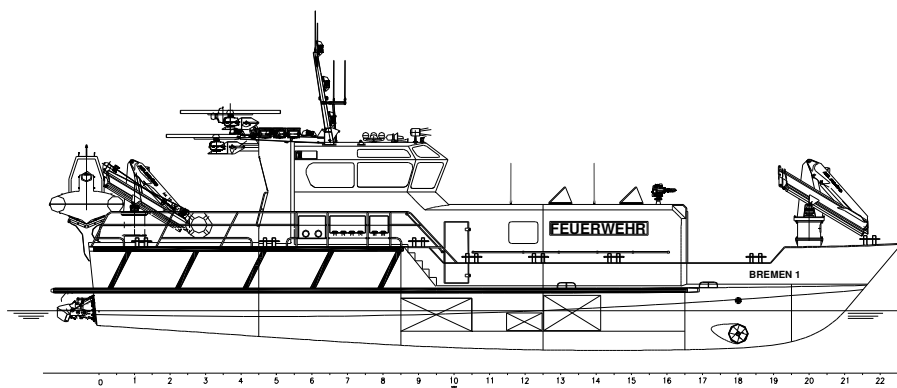
ANCHOR ARRANGEMENT	Muir winch with HHP anchors at bow and at stern
HYDRAULIC CRANES	2 x (at bow and stern) each with fifi monitor installed and equipped with winch.
FIRE FIGHTING MONITOR	3 x FWM-3 EL Water/Foam combination distance controlled
GAS DETECTION	MSA GD10 sensors
PRE-WETTING SYSTEM	Around both sides
WORKBOOT	RHIB 5,1 m with 60 hp outboard engine

#### ACCOMMODATION

Heated and air-conditioned wheelhouse and accommodation.

#### NAUTICAL AND COMMUNICATION EQUIPMENT

RADAR SYSTEM	JRC, type JMA-609-7
CHART OVERLAY	Alphatron
RIVERPILOT	Alphatron, type Alpariverpilot MF
SHALLOW WATER ECHOSOUNDER	Alphatron, Alphadepth MF
SIDESCAN ECHOSOUNDER	Humminbird, Type Sidescan 997i combo
GPS SATELLITE COMPASS	JRC, type JLR-20
RATE OF TURN INDICATOR	Alphatron, Alphaturn MF
VHF	3x VHF, type RT5022
SEMI AUTOMATIC DP SYSTEM	Navis, type JP3000 (not a classified system)
INTERCOM SYSTEM	Alphatron, type Alphacall
LOUDHAILER	Zetfon, type Fonomat
SEARCHLIGHT	250W, remote controlled
ELECTRONIC CHART	Alphatron, type Alphachart
WIND MEASURING SYSTEM	Alphatron, type Alphaswind MF
SEVERAL COMMUNICATION	Type BOS



# DAMEN FIRE FIGHTING VESSEL 2406

## "BREMEN 1"

# DAMEN

DAMEN SHIPYARDS HARDINXVELD

Member of the DAMEN SHIPYARDS GROUP



Rivierdijk 544  
3371 EB Hardinxveld-Giessendam

P.O. Box 60  
3370 AB Hardinxveld-Giessendam  
The Netherlands

phone +31 (0)184 61 30 88  
fax +31 (0)184 61 77 93

info@damen-hardinxveld.nl  
www.damenshipyardshardinxveld.nl